

**Built-under oven
Four encastrable
Einbauherde**

BIO 5022

Gebrauchsanleitung

Blomberg

Please read this user manual first!

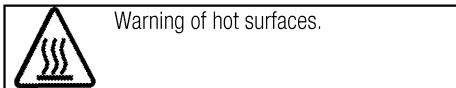
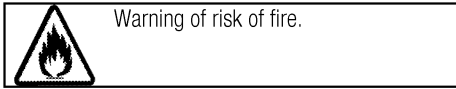
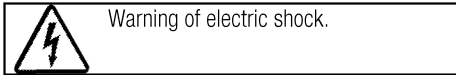
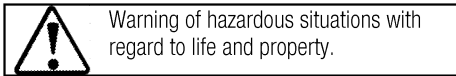
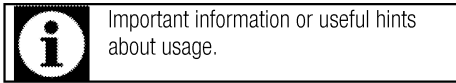
Dear Customer,

Thank you for purchasing this Blomberg product. We hope that you get the best results from your product which has been manufactured with high quality and state-of-the-art technology. Therefore, please read this entire user manual and all other accompanying documents carefully before using the product and keep it as a reference for future use. If you handover the product to someone else, give the user manual as well. Follow all warnings and information in the user manual.

Remember that this user manual is also applicable for several other models. Differences between models will be identified in the manual.

Explanation of symbols

Throughout this user manual the following symbols are used:



Arçelik A.Ş.
Karaağaç caddesi No:2-6
34445 Söğütözü/İstanbul/TURKEY
Made in TURKEY

TABLE OF CONTENTS

1 Important instructions and warnings for safety and environment 4

General safety.....	4
Electrical safety.....	4
Product safety.....	5
Intended use.....	6
Safety for children.....	6
Disposing of the old product.....	7
Package information.....	7

2 General information 8

Overview.....	8
Package contents.....	9
Technical specifications.....	10

3 Installation 12

Before installation.....	12
Installation and connection.....	14
Future Transportation.....	15

4 Preparation 17

Tips for saving energy.....	17
-----------------------------	----

Initial use.....	17
First cleaning of the appliance.....	17
Initial heating.....	17

5 How to operate the oven 18

General information on baking, roasting and grilling.....	18
How to operate the electric oven.....	18
Operating modes.....	19
Cooking times table.....	20
How to operate the grill.....	21
Cooking times table for grilling.....	21

6 Maintenance and care 22

General information.....	22
Cleaning the control panel.....	22
Cleaning the oven.....	22
Removing the oven door.....	22
Removing the door inner glass.....	23
Replacing the oven lamp.....	24

7 Troubleshooting 25

1 Important instructions and warnings for safety and environment

This section contains safety instructions that will help protect from risk of personal injury or property damage. Failure to follow these instructions shall void any warranty.

General safety

- This appliance can be used by children aged from 8 years and above and persons with reduced physical, sensory or mental capabilities or lack of experience and knowledge if they have been given supervision or instruction concerning use of the appliance in a safe way and understand the hazards involved.
Children shall not play with the appliance. Cleaning and user maintenance shall not be made by children without supervision.
- Installation and repair procedures must always be performed by Authorized Service Agents. The manufacturer shall not be held responsible for damages arising from procedures carried out by unauthorized persons which may also void the warranty. Before installation, read the instructions carefully.
- Do not operate the product if it is defective or has any visible damage.

- Control that the product function knobs are switched off after every use.

Electrical safety

- If the product has a failure, it should not be operated unless it is repaired by the Authorized Service Agent. There is the risk of electric shock!
- Only connect the product to a grounded outlet/line with the voltage and protection as specified in the “Technical specifications”. Have the grounding installation made by a qualified electrician while using the product with or without a transformer. Our company shall not be liable for any problems arising due to the product not being earthed in accordance with the local regulations.
- Never wash the product by spreading or pouring water onto it! There is the risk of electric shock!
- The product must be unplugged during installation, maintenance, cleaning and repairing procedures.
- If the power connection cable for the product is damaged, it must be replaced by the manufacturer, its service agent or similiary

qualified persons in order to avoid a hazard.

- Only use the connection cable specified in the “Technical specifications”.
- The appliance must be installed so that it can be completely disconnected from the network. The separation must be provided either by a mains plug, or a switch built into the fixed electrical installation, according to construction regulations.
- Rear surface of the oven gets hot when it is in use. Make sure that the electrical connection does not contact the rear surface; otherwise, connections can get damaged.
- Do not trap the mains cable between the oven door and frame and do not route it over hot surfaces. Otherwise, cable insulation may melt and cause fire as a result of short circuit.
- Any work on electrical equipment and systems should only be carried out by authorized and qualified persons.
- In case of any damage, switch off the product and disconnect it from the mains. To do this, turn off the fuse at home.
- Make sure that fuse rating is compatible with the product.

Product safety

- The appliance and its accessible parts become hot during use. Care should be taken to avoid touching heating elements. Children less than 8 years of age shall be kept away unless continuously supervised.
- Never use the product when your judgment or coordination is impaired by the use of alcohol and/or drugs.
- Be careful when using alcoholic drinks in your dishes. Alcohol evaporates at high temperatures and may cause fire since it can ignite when it comes into contact with hot surfaces.
- Do not place any flammable materials close to the product as the sides may become hot during use.
- During use the appliance becomes hot. Care should be taken to avoid touching heating elements inside the oven.
- Keep all ventilation slots clear of obstructions.
- Do not heat closed tins and glass jars in the oven. The pressure that would build-up in the tin/jar may cause it to burst.
- Do not place baking trays, dishes or aluminium foil directly onto the bottom of the oven. The heat

accumulation might damage the bottom of the oven.

- Do not use harsh abrasive cleaners or sharp metal scrapers to clean the oven door glass since they can scratch the surface, which may result in shattering of the glass.
- Do not use steam cleaners to clean the appliance as this may cause an electric shock.
- Use the shelves as described in "How to operate the electric oven".
- Do not use the product if the front door glass removed or cracked.
- Oven handle is not towel dryer. Do not hang up towel, gloves, or similar textile products when the grill function is at open door.
- Always use heat resistant oven gloves when putting in or removing dishes into/from the hot oven.
- Ensure that the appliance is switched off before replacing the lamp to avoid the possibility of electric shock.

For the reliability of the fire of the product;

- Make sure the plug is fitting to socket as well for not cause to spark.
- Do not use damaged or cutted or extension cable except the original cable.

- Make sure that not whether liquid or moisture on the socket is plugged to product .

Intended use

- This product is designed for domestic use. Commercial use will void the guarantee.
- This appliance is for cooking purposes only. It must not be used for other purposes, for example room heating.
- This product should not be used for warming the plates under the grill, drying towels, dish cloths etc. by hanging them on the oven door handles. This product should also not be used for room heating purposes.
- The manufacturer shall not be liable for any damage caused by improper use or handling errors.
- The oven can be used for defrosting, baking, roasting and grilling food.

Safety for children

- Accessible parts may become hot during use. Young children should be kept away.
- The packaging materials will be dangerous for children. Keep the packaging materials away from children. Please dispose of all parts of the packaging according to environmental standards.
- Electrical and/or gas products are dangerous to children. Keep

children away from the product when it is operating and do not allow them to play with the product.

- Do not place any items above the appliance that children may reach for.
- When the door is open, do **not** load any heavy object on it and do **not** allow children to sit on it. It may overturn or door hinges may get damaged.

Disposing of the old product



Dispose of the old product in an environmentally friendly manner. This equipment bears the selective sorting symbol for waste electrical and electronic equipment (WEEE). This means that this equipment must be handled pursuant to European Directive 2002/96/EC in order to be recycled or dismantled to minimize its impact on the environment. For further information, please contact local or regional authorities. Refer to your local dealer or solid waste collection centre in your area to learn how to dispose of your product.

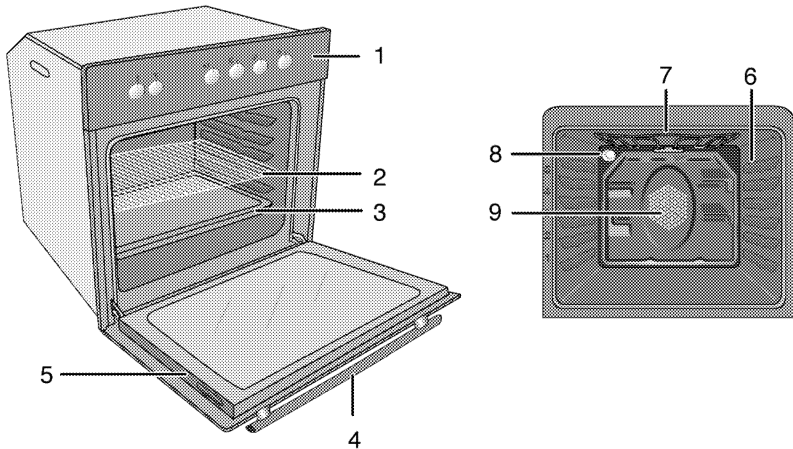
Before disposing of the product, cut off the power cable plug and make the door lock (if any) unusable to avoid dangerous conditions to children.

Package information

- Packaging materials of the product are manufactured from recyclable materials in accordance with our National Environment Regulations. Do not dispose of the packaging materials together with the domestic or other wastes. Take them to the packaging material collection points designated by the local authorities.

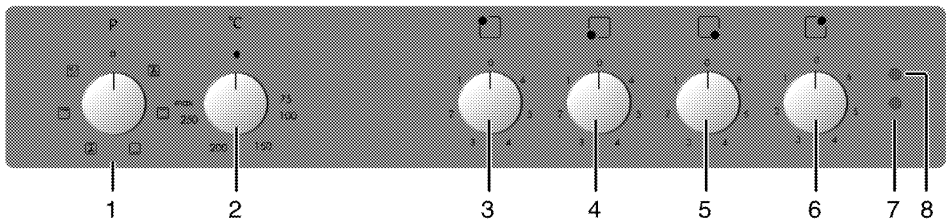
2 General information

Overview



- 1 Control panel
- 2 Wire shelf
- 3 Tray
- 4 Handle
- 5 Door

- 6 Shelf positions
- 7 Top heating element
- 8 Lamp
- 9 Fan motor (behind steel plate)



- 1 Function knob
- 2 Thermostat knob
- 3 Single-circuit cooking plate Rear left
- 4 Single-circuit cooking plate Front left

- 5 Single-circuit cooking plate Front right
- 6 Single-circuit cooking plate Rear right
- 7 Thermostat lamp
- 8 Warning lamp

Package contents

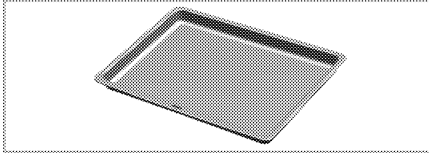


Accessories supplied can vary depending on the product model. Not every accessory described in the user manual may exist on your product.

1. **User manual**

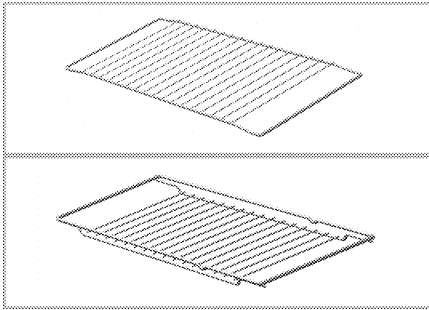
2. **Cake tray**

Used for pastries such as cookies and biscuits.



3. **Wire Shelf**

Used for roasting and for placing the food to be baked, roasted or cooked in casserole dishes to the desired rack.



Technical specifications

Voltage / frequency	220- 240 V (1N) / 380- 415 V (3N) ~ 50 Hz
Total power consumption	max. 9.4 kW
Fuse	min. 16 A (3x) / 40 A (1x)
Cable type / section	H05VV-F 4.0 mm ² (220-240 V) / 2.5 mm ² (380-415 V)
Cable length	max. 2 m
External dimensions (height / width / depth)	595 mm/594 mm/567 mm
Installation dimensions (height / width / depth)	**590 or 600 mm/560 mm/min. 550 mm
Main oven	Multifunction oven
Energy efficiency class [#]	A
Inner lamp	15/25 W
Grill power consumption	2.2 kW

[#] Basics: Information on the energy label of electrical ovens is given in accordance with the EN 50304 standard. Those values are determined under standard load with bottom-top heater or fan assisted heating (if any) functions.



Technical specifications may be changed without prior notice to improve the quality of the product.



Figures in this manual are schematic and may not exactly match your product.



Values stated on the product labels or in the documentation accompanying it are obtained in laboratory conditions in accordance with relevant standards. Depending on operational and environmental conditions of the product, these values may vary.

Hob configurations

POWER	HOTPLATE SIZE Ø	HOTPLATE TYPE	MKN 14101 E		MKN 14100 N														
2200/750	210/120	DOUBLE CIRCLE																	
1200	140	SINGLE	X	X	X	X													
1500	160	SINGLE																	
2000/1100	140/240	EXTENDED																	
2000/1100	140/250	EXTENDED																	
2400/1500	170/265	EXTENDED																	
1800	180	SINGLE		X															
1700	180	SINGLE	X		X	X													
2300	210	SINGLE																	
1700/700	180/120	DOUBLE CIRCLE																	
2300/800/800	210/175/120	TRIPPLE CIRCLE																	
110-80	260X170	SINGLE																	
2700/2200/1050	275/210/145	TRIPPLE CIRCLE																	
2000/600	210/120	DOUBLE CIRCLE																	
2500/1600/800	230/180/120	TRIPPLE CIRCLE																	
2100/1750/900	350/200/145	EXTENDED DOUBLE CIRCLE																	
2400/1500	230/180	DOUBLE CIRCLE																	
110		WARMING PLATE																	
			5800 W		5800 W														

* Over heat protection

** Extended and double circle hotplates cannot be used in combinations of the highlighted models.

3 Installation

Product must be installed by a qualified person in accordance with the regulations in force. The manufacturer shall not be held responsible for damages arising from procedures carried out by unauthorized persons which may also void the warranty.



Preparation of location and electrical installation for the product is under customer's responsibility.



DANGER:

The product must be installed in accordance with all local gas and/or electrical regulations.



DANGER:

Prior to installation, visually check if the product has any defects on it. If so, do not have it installed.
Damaged products cause risks for your safety.

Before installation

The appliances are intended for installation in commercially available kitchen cabinets. A safety distance must be left between the appliance and the kitchen walls and furniture. See figure (values in mm).

- It can also be used in a free standing position. Allow a minimum distance of 750 mm above the hob surface.
- (*) If a cooker hood is to be installed above the cooker, refer to cooker hood manufacturer' instructions regarding installation height (min 650 mm).
- Remove packaging materials and transport locks.
- Surfaces, synthetic laminates and adhesives used must be heat resistant (100 °C minimum).
- Power to the hob is supplied from the oven. Both appliances must be installed on top of each other.

- Cut aperture for the hob in worktop as per installation dimensions.
- Seal cut edges and bordering edges.
- Worktop and kitchen cabinets must be set level and fixed.
- The hob may be installed with only **one** edge next the higher cabinets, appliances or walls.
- Some space must remain between the oven's rear wall and the kitchen wall for air to circulate.
- If there is a drawer beneath the oven, a shelf must be installed between oven and drawer.
- Carry the appliance with at least two persons.



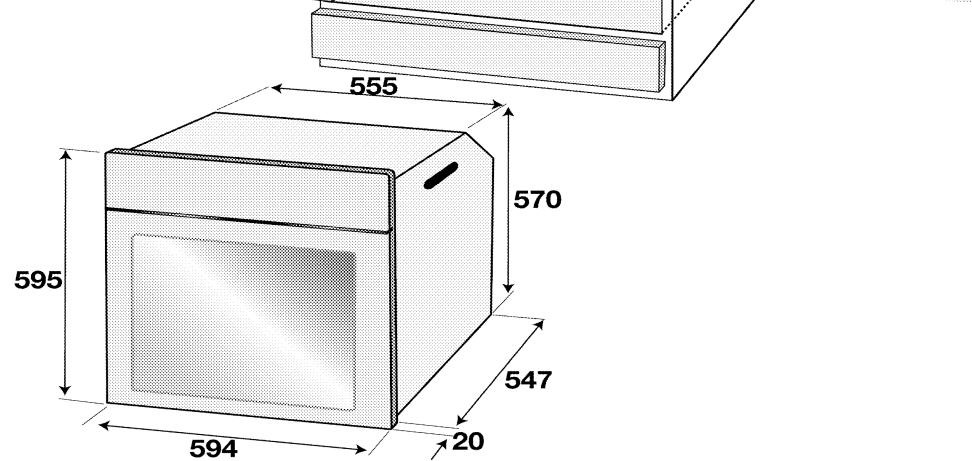
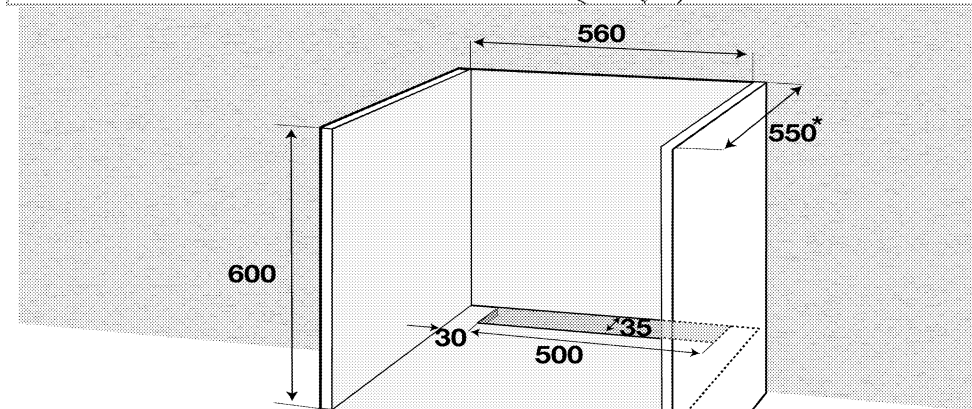
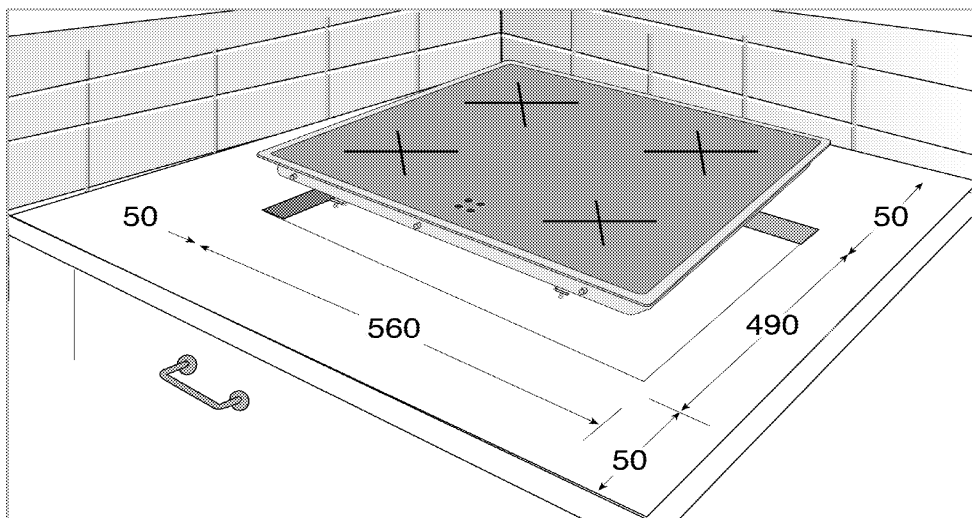
Do not install the appliance next to refrigerators or freezers. The heat emitted by the appliance will lead to an increased energy consumption of cooling appliances.



The door and/or handle must not be used for lifting or moving the appliance.



If the appliance has wire handles, push the handles back into the side walls after moving the appliance.



* min.

Installation and connection

- Product can only be installed and connected in accordance with the statutory installation rules.

Electrical connection

Connect the product to a grounded outlet/line protected by a fuse of suitable capacity as stated in the "Technical specifications" table. Have the grounding installation made by a qualified electrician while using the product with or without a transformer. Our company shall not be liable for any damages that will arise due to using the product without a grounding installation in accordance with the local regulations.



DANGER:

The product must be connected to the mains supply only by an authorised and qualified person. The product's warranty period starts only after correct installation.

Manufacturer shall not be held responsible for damages arising from procedures carried out by unauthorised persons.



DANGER:

The power cable must not be clamped, bent or trapped or come into contact with hot parts of the product.

A damaged power cable must be replaced by a qualified electrician. Otherwise, there is risk of electric shock, short circuit or fire!

- Connection must comply with national regulations.
- The mains supply data must correspond to the data specified on the type label of the product. Open the front door to see the type label.
- Power cable of your product must comply with the values in "Technical specifications" table.



DANGER:

Before starting any work on the electrical installation, disconnect the product from the mains supply. There is the risk of electric shock!

Connecting the power cable

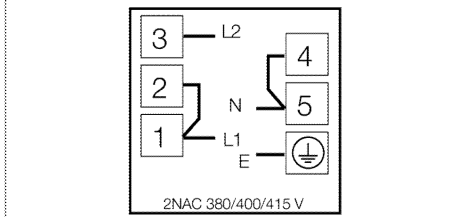
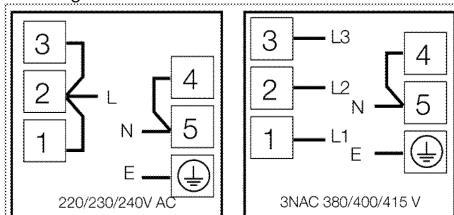
- If a power cable is not supplied together with your product, a power cable that you would select from the table (*Technical specifications, page 10*) in accordance with the electrical installation at your home must be connected to your product by following the instructions in cable diagram.

If it is not possible to disconnect all poles in the supply power, a disconnection unit with at least 3 mm contact clearance (fuses, line safety switches, contactors) must be connected and all the poles of this disconnection unit must be adjacent to (not above) the product in accordance with IEE directives. Failure to obey this instruction may cause operational problems and invalidate the product warranty.



Additional protection by a residual current circuit breaker is recommended.

- Open the terminal block cover with a screwdriver.
- Insert the power cable through the cable clamp below the terminal and secure it to the main body with the integrated screw on cable clamping component.
- Connect the cables according to the supplied diagram.



- After completing the wire connections, close the terminal block cover.

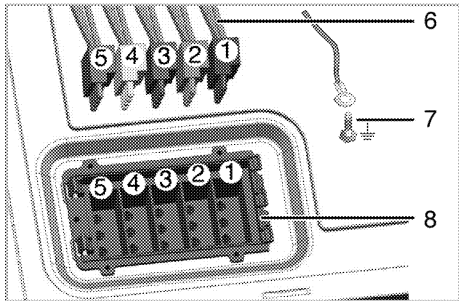
- Route the power cable so that it will not contact the product and get squeezed between the product and the wall.



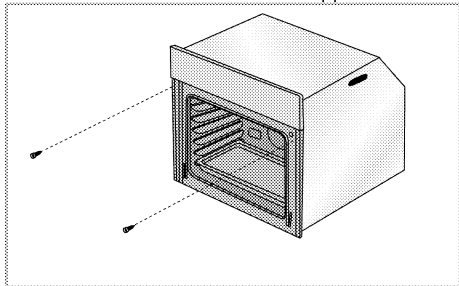
Power cable must not be longer than 2 m because of safety reasons.

Installing the products

- Fix the hob.
- Make oven connections.
- Slide the oven into the cabinet until half way.
- Connect the hob to the oven.

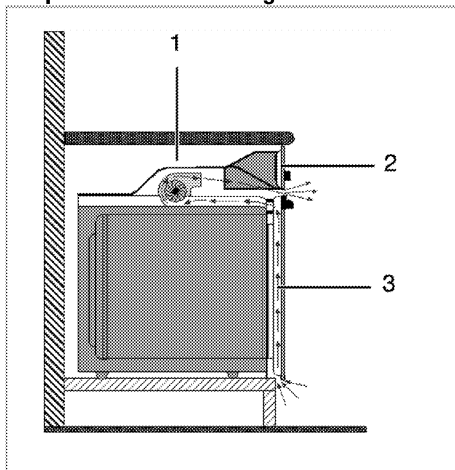


- Red
 - Black
 - White
 - Blue
 - Green
 - Cables coming from the hob
 - Grounding cable connection (Green/Yellow)
 - Oven cable connection inputs (terminal)
- Slide the oven into the cabinet, align and secure it while making sure that the power cable is not broken and/or trapped.



Secure the oven with 2 screws as illustrated.

For products with cooling fan



- Cooling fan
- Control panel
- Door

The built-in cooling fan cools both the built-in cabinet and the front of the product.



Cooling fan continues to operate for about 20-30 minutes after the oven is switched off.

Final check

- Plug in the power cable and switch on the product's fuse.
- Check the functions.

Future Transportation

- Keep the product's original carton and transport the product in it. Follow the instructions on the carton. If you do not have the original carton, pack the product in bubble wrap or thick cardboard and tape it securely.
- To prevent the wire grill and tray inside the oven from damaging the oven door, place a strip of cardboard onto the inside of the oven door that lines up with the position of the trays. Tape the oven door to the side walls.
- Do not use the door or handle to lift or move the product.



Do not place any objects onto the product and move it in upright position.



Check the general appearance of your product for any damages that might have occurred during transportation.

4 Preparation

Tips for saving energy

The following information will help you to use your appliance in an ecological way, and to save energy:

- Use dark coloured or enamel coated cookware in the oven since the heat transmission will be better.
- While cooking your dishes, perform a preheating operation if it is advised in the user manual or cooking instructions.
- Do not open the door of the oven frequently during cooking.
- Try to cook more than one dish in the oven at the same time whenever possible. You can cook by placing two cooking vessels onto the wire shelf.
- Cook more than one dish one after another. The oven will already be hot.
- You can save energy by switching off your oven a few minutes before the end of the cooking time. Do not open the oven door.
- Defrost frozen dishes before cooking them.

Initial use

First cleaning of the appliance



The surface might get damaged by some detergents or cleaning materials.

Do not use aggressive detergents, cleaning powders/creams or any sharp objects during cleaning.

Do not use harsh abrasive cleaners or sharp metal scrapers to clean the oven door glass since they can scratch the surface, which may result in shattering of the glass.

1. Remove all packaging materials.
2. Wipe the surfaces of the appliance with a damp cloth or sponge and dry with a cloth.

Initial heating

Heat up the product for about 30 minutes and then switch it off. Thus, any production residues or layers will be burnt off and removed.



WARNING

Hot surfaces cause burns!

Product may be hot when it is in use. Never touch the hot burners, inner sections of the oven, heaters and etc. Keep children away. Always use heat resistant oven gloves when putting in or removing dishes into/from the hot oven.

Electric oven

1. Take all baking trays and the wire grill out of the oven.
2. Close the oven door.
3. Select Static position.
4. Select the highest oven power; See *How to operate the electric oven, page 18*.
5. Operate the oven for about 30 minutes.
6. Turn off your oven; See *How to operate the electric oven, page 18*

Grill oven

1. Take all baking trays and the wire grill out of the oven.
2. Close the oven door.
3. Select the highest grill power; see *How to operate the grill, page 21*.
4. Operate the grill about 30 minutes.
5. Turn off your grill; see *How to operate the grill, page 21*



Smoke and smell may emit for a couple of hours during the initial operation. This is quite normal. Ensure that the room is well ventilated to remove the smoke and smell. Avoid directly inhaling the smoke and the smell that emits.

5 How to operate the oven

General information on baking, roasting and grilling



WARNING

Hot surfaces cause burns!

Product may be hot when it is in use. Never touch the hot burners, inner sections of the oven, heaters and etc. Keep children away. Always use heat resistant oven gloves when putting in or removing dishes into/from the hot oven.



DANGER:

Be careful when opening the oven door as steam may escape. Exiting steam can scald your hands, face and/or eyes.

Tips for baking

- Use non-sticky coated appropriate metal plates or aluminum vessels or heat-resistant silicone moulds.
- Make best use of the space on the rack.
- Place the baking mould in the middle of the shelf.
- Select the correct rack position before turning the oven or grill on. Do not change the rack position when the oven is hot.
- Keep the oven door closed.

Tips for roasting

- Treating whole chicken, turkey and large piece of meat with dressings such as lemon juice and black pepper before cooking will increase the cooking performance.
- It takes about 15 to 30 minutes longer to roast meat with bones when compared to roasting the same size of meat without bones.
- Each centimeter of meat thickness requires approximately 4 to 5 minutes of cooking time.
- Let meat rest in the oven for about 10 minutes after the cooking time is over. The juice is better distributed all over the roast and does not run out when the meat is cut.

- Fish should be placed on the middle or lower rack in a heat-resistant plate.

Tips for grilling

When meat, fish and poultry are grilled, they quickly get brown, have a nice crust and do not get dry. Flat pieces, meat skewers and sausages are particularly suited for grilling as are vegetables with high water content such as tomatoes and onions.

- Distribute the pieces to be grilled on the wire shelf or in the baking tray with wire shelf in such a way that the space covered does not exceed the size of the heater.
- Slide the wire shelf or baking tray with grill into the desired level in the oven. If you are grilling on the wire shelf, slide the baking tray to the lower rack to collect fats. Add some water in the tray for easy cleaning.

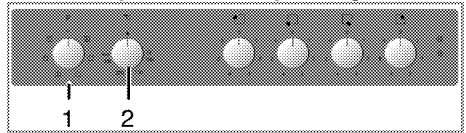


Foods that are not suitable for grilling carry the risk of fire. Only grill food which is suitable for intensive grilling heat.

Do not place the food too far in the back of the grill. This is the hottest area and fatty food may catch fire.

How to operate the electric oven

Select temperature and operating mode



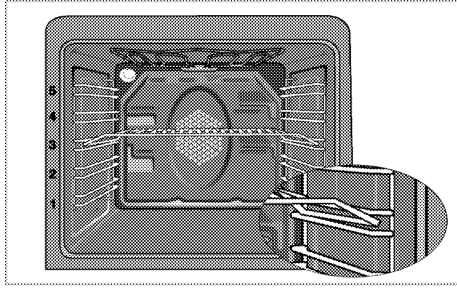
- 1 Function knob
- 2 Thermostat knob

1. Set the Temperature knob to the desired temperature.
2. Set the Function knob to the desired operating mode.

» Oven heats up to the adjusted temperature and maintains it. During heating, temperature lamp stays on.

Switching off the electric oven

Turn the function knob and temperature knob to off (upper) position.



Rack positions (For models with wire shelf)

It is important to place the wire shelf onto the side rack correctly. Wire shelf must be inserted between the side racks as illustrated in the figure. Do not let the wire shelf stand against the rear wall of the oven. Slide your wire shelf to the front section of the rack and settle it with the help of the door in order to obtain a good grill performance.

Operating modes

The order of operating modes shown here may be different from the arrangement on your product.

Top and bottom heating



Top and bottom heating are in operation. Food is heated simultaneously from the top and bottom. For example, it is suitable for cakes, pastries, or cakes and casseroles in baking moulds. Cook with one tray only.

Bottom heating



Only bottom heating is in operation. It is suitable for pizza and for subsequent browning of food from the bottom.

Fan supported bottom/top heating



Top heating, bottom heating plus fan (in the rear wall) are in operation. Hot air is evenly distributed throughout the oven rapidly by means of the fan. Cook with one tray only.

Full grill



Large grill at the ceiling of the oven is in operation. It is suitable for grilling large amount of meat.

- Put big or medium-sized portions in correct rack position under the grill heater for grilling.
- Set the temperature to maximum level.
- Turn the food after half of the grilling time.

Grill+Fan



Grilling effect is not as strong as in Full Grill

- Put small or medium-sized portions in correct shelf position under the grill heater for grilling.
- Set the desired temperature.
- Turn the food after half of the grilling time.

Booster



This function is used to heat the oven rapidly; it is not suitable for cooking food.

- Select the desired temperature after selecting this function. Temperature light turns on and oven is heated.
- Light turns off after the heating process is completed. Now select the desired function to cook your food.

Cooking times table



The timings in this chart are meant as a guide. Timings may vary due to temperature of food, thickness, type and your own preference of cooking.

Baking and roasting



1st rack of the oven is the **bottom** rack.

Dish	Cooking level number		Rack position	Temperature (°C)	Cooking time (approx. in min.)
**Cakes in tray	One level		3	175	25 ... 30
**Cakes in mould	One level		2	175	40 ... 50
**Cakes in cooking paper	One level		3	175	25 ... 30
**Sponge cake	One level		3	200	5 ... 10
**Cookie	One level		3	175	25 ... 30
**Dough pastry	One level		2	200	30 ... 40
**Rich pastry	One level		2	200	25 ... 35
**Leaven	One level		2	200	35 ... 45
**Lasagna	One level		2-3	200	30 ... 40
**Pizza	One level		2	200 ... 220	15 ... 20
Beef steak (whole) / Roast	One level		3	25 min. 250/max, then 180 ... 190	100 ... 120
Leg of Lamb (casserole)	One level		3	25 min. 220 then 180 ... 190	70 ... 90
Roasted chicken	One level		2	15 min. 250/max, then 180 ... 190	55 ... 65
Turkey (5.5 kg)	One level		1	25 min. 250/max, then 180 ... 190	150 ... 210
Fish	One level		3	200	20 ... 30

(**) In a cooking that requires preheating, preheat at the beginning of cooking until the thermostat lamp turns off.

Tips for baking cake

- If the cake is too dry, increase the temperature by 10°C and decrease the cooking time.
- If the cake is wet, use less liquid or lower the temperature by 10°C.
- If the cake is too dark on top, place it on a lower rack, lower the temperature and increase the cooking time.
- If cooked well on the inside but sticky on the outside use less liquid, lower the temperature and increase the cooking time.

Tips for baking pastry

- If the pastry is too dry, increase the temperature by 10°C and decrease the cooking time. Dampen the layers of dough with a sauce composed of milk, oil, egg and yoghurt.
- If the pastry takes too long to bake, pay care that the thickness of the pastry you have prepared does not exceed the depth of the tray.

- If the upper side of the pastry gets browned, but the lower part is not cooked, make sure that the amount of sauce you have used for the pastry is not too much at the bottom of the pastry. Try to scatter the sauce equally between the dough layers and on the top of pastry for an even browning.



Cook the pastry in accordance with the mode and temperature given in the cooking table. If the bottom part is still not browned enough, place it on one lower rack next time.

Tips for cooking vegetables

- If the vegetable dish runs out of juice and gets too dry, cook it in a pan with a lid instead of a tray. Closed vessels will preserve the juice of the dish.
- If a vegetable dish does not get cooked, boil the vegetables beforehand or prepare them like canned food and put in the oven.

How to operate the grill



WARNING

Close oven door during grilling.
Hot surfaces may cause burns!

Switching on the grill

1. Turn the Function knob to the desired grill symbol.
2. Then, select the desired grilling temperature.
3. If required, perform a preheating of about 5 minutes.

» Temperature light turns on.

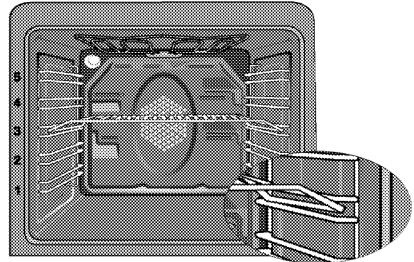
Switching off the grill

1. Turn the Function knob to Off (top) position.

Rack positions

Grill performance will decrease if the wire grill stands against rear part of the oven. Slide your wire grill to the front section of the rack and

settle it with the help of the door in order to obtain the best grill performance.



Foods that are not suitable for grilling carry the risk of fire. Only grill food which is suitable for intensive grilling heat.

Do not place the food too far in the back of the grill. This is the hottest area and fatty food may catch fire.

Cooking times table for grilling

Grilling with electric grill

Food	Insertion level	Grilling time (approx.)
Fish	4..5	20..25 min. #
Sliced chicken	4..5	25..35 min.
Lamb chops	4..5	20..25 min.
Roast beef	4..5	25..30 min. #
Veal chops	4..5	25..30 min. #
Toast bread	4	1...2 min.

depending on thickness

6 Maintenance and care

General information

Service life of the product will extend and the possibility of problems will decrease if the product is cleaned at regular intervals.



DANGER:

Disconnect the product from mains supply before starting maintenance and cleaning works.
There is the risk of electric shock!



DANGER:

Allow the product to cool down before you clean it.
Hot surfaces may cause burns!

- Clean the product thoroughly after each use. In this way it will be possible to remove cooking residues more easily, thus avoiding these from burning the next time the appliance is used.
- No special cleaning agents are required for cleaning the product. Use warm water with washing liquid, a soft cloth or sponge to clean the product and wipe it with a dry cloth.
- Always ensure any excess liquid is thoroughly wiped off after cleaning and any spillage is immediately wiped dry.
- Do not use cleaning agents that contain acid or chloride to clean the stainless or inox surfaces and the handle. Use a soft cloth with a liquid detergent (not abrasive) to wipe those parts clean, paying attention to sweep in one direction.



The surface might get damaged by some detergents or cleaning materials.

Do not use aggressive detergents, cleaning powders/creams or any sharp objects during cleaning.

Do not use harsh abrasive cleaners or sharp metal scrapers to clean the oven door glass since they can scratch the surface, which may result in shattering of the glass.



Do not use steam cleaners to clean the appliance as this may cause an electric shock.

Cleaning the control panel

Clean the control panel and knobs with a damp cloth and wipe them dry.



Do not remove the control buttons/knobs to clean the control panel.

Control panel may get damaged!

Cleaning the oven

Clean oven door

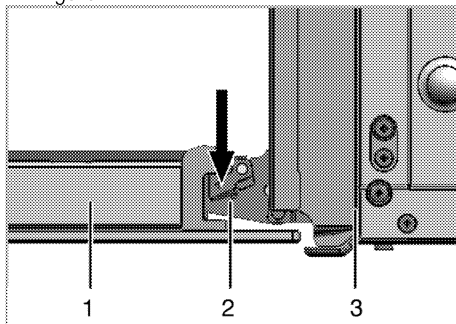
To clean the oven door, use warm water with washing liquid, a soft cloth or sponge to clean the product and wipe it with a dry cloth.



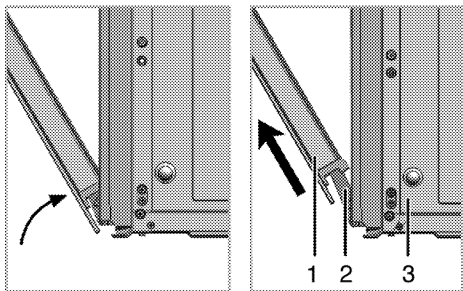
Don't use any harsh abrasive cleaners or sharp metal scrapers for cleaning the oven door. They could scratch the surface and destroy the glass.

Removing the oven door

1. Open the front door (1).
2. Open the clips at the hinge housing (2) on the right and left hand sides of the front door by pressing them down as illustrated in the figure.



- 1 Front door
- 2 Hinge
- 3 Oven



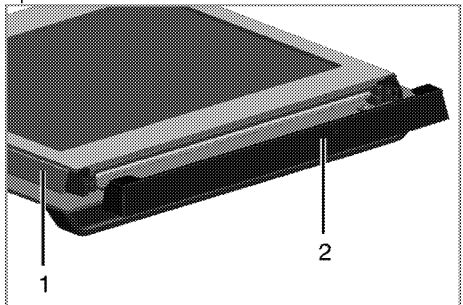
3. Move the front door to half-way.
4. Remove the front door by pulling it upwards to release it from the right and left hinges.

i Steps carried out during removing process should be performed in reverse order to install the door. Do not forget to close the clips at the hinge housing when reinstalling the door.

Removing the door inner glass

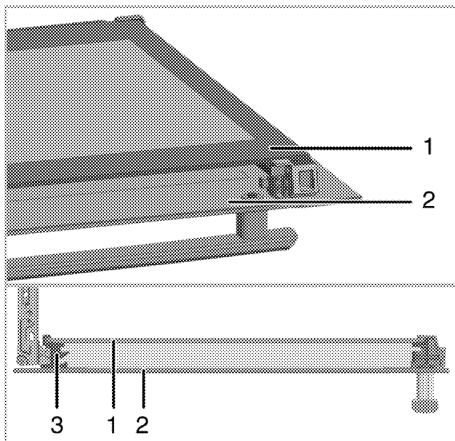
The inner glass panel of the oven door can be removed for cleaning.

Open the oven door.



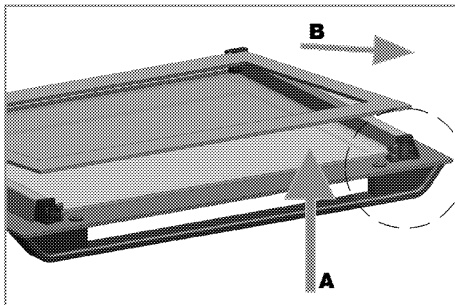
- 1 Frame
- 2 Plastic part

Pull towards yourself and remove the plastic part installed to upper section of the front door.



- 1 Inner glass panel
- 2 Outer glass panel
- 3 Plastic glass panel slot-Lower

As illustrated in figure, raise the innermost glass panel (1) slightly in direction **A** and pull it out in direction **B**.



When installing the inner glass panel (1), make sure that the printed side of the panel faces towards the inner.

It is important to seat lower corner of inner glass panel into the lower plastic slot.

Push the plastic part towards the frame until you hear a "click".

Replacing the oven lamp



DANGER:

Before replacing the oven lamp, make sure that the product is disconnected from mains and cooled down in order to avoid the risk of an electrical shock. Hot surfaces may cause burns!



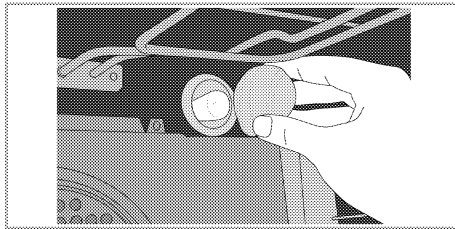
The oven lamp is a special electric light bulb that can resist up to 300 °C. See *Technical specifications, page 10* for details. Oven lamps can be obtained from Authorised Service Agents.



Position of lamp might vary from the figure.

If your oven is equipped with a round lamp:

1. Disconnect the product from mains.
2. Turn the glass cover counter clockwise to remove it.



3. Remove the oven lamp by turning it counter clockwise and replace it with the new one.
4. Install the glass cover.

7 Troubleshooting

Oven emits steam when it is in use.

- It is normal that steam escapes during operation. >>> *This is not a fault.*

Product emits metal noises while heating and cooling.

- When the metal parts are heated, they may expand and cause noise. >>> *This is not a fault.*

Product does not operate.

- The mains fuse is defective or has tripped. >>> *Check fuses in the fuse box. If necessary, replace or reset them.*
- Product is not plugged into the (grounded) socket. >>> *Check the plug connection.*

Oven light does not work.

- Oven lamp is defective. >>> *Replace oven lamp.*
- Power is cut. >>> *Check if there is power. Check the fuses in the fuse box. If necessary, replace or reset the fuses.*

Oven does not heat.

- Function and/or Temperature are not set. >>> *Set the function and the temperature with the Function and/or Temperature knob/key.*
- Power is cut. >>> *Check if there is power. Check the fuses in the fuse box. If necessary, replace or reset the fuses.*



Consult the Authorised Service Agent or the dealer where you have purchased the product if you can not remedy the trouble although you have implemented the instructions in this section. Never attempt to repair a defective product yourself.

Avant de commencer, bien vouloir lire ce manuel d'utilisation !

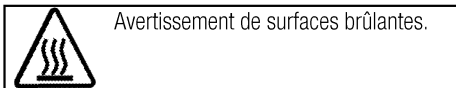
Chère cliente, cher client,

Nous vous remercions d'avoir porté votre choix sur un produit Blomberg. Nous espérons que vous tirerez le meilleur parti de votre produit, qui a été fabriqué avec une technologie de pointe et de qualité supérieure. C'est pourquoi nous vous prions de lire attentivement le présent manuel et tous les autres documents connexes dans leur intégralité avant d'utiliser le produit et de les conserver ensuite car vous pourriez avoir besoin de vous en servir ultérieurement. Si vous cédez l'appareil à une tierce personne, n'oubliez pas de lui fournir le Manuel d'utilisation également. Respectez tous les avertissements et informations contenus dans le manuel d'utilisation.

Souvenez-vous que ce Manuel d'utilisation s'applique également à plusieurs autres modèles. Les différences entre les modèles seront identifiées dans le manuel.

Explication des symboles

Vous trouverez les symboles suivants dans ce Manuel d'utilisation :



Arçelik A.Ş.
Karaağaç caddesi No:2-6
34445 Sülüce/Istanbul/TURKEY

1 Instructions importantes et mises en garde relatives à la sécurité et à l'environnement 4

Sécurité générale 4
 Sécurité électrique 4
 Sécurité du produit..... 5
 Utilisation prévue..... 6
 Sécurité des enfants..... 7
 Mise au rebut de l'ancien appareil..... 7
 Elimination des emballages..... 8

2 Généralités 9

Vue d'ensemble 9
 Contenu de l'emballage 10
 Caractéristiques techniques 11

3 Installation 13

Avant l'installation 13
 Installation et branchement..... 15
 Déplacement ultérieur 17

4 Préparations 18

Conseils pour faire des économies d'énergie . 18

Première utilisation..... 18
 Premier nettoyage de l'appareil 18
 Première cuisson 18

5 Utilisation du four 19

Informations générales concernant la pâtisserie, la rôtisserie et les grillades..... 19
 Utilisation du four électrique..... 19
 Modes de fonctionnement..... 20
 Tableau des temps de cuisson 21
 Utilisation du grill..... 22
 Tableau des temps de cuisson pour le grill.... 22

6 Maintenance et entretien 23

Généralités 23
 Nettoyage du bandeau de commande..... 23
 Nettoyage du four..... 23
 Retirer la porte du four..... 23
 Retrait de la vitre de la porte 24
 Remplacement de l'ampoule du four 25

7 Recherche et résolution des pannes 26

1 Instructions importantes et mises en garde relatives à la sécurité et à l'environnement

Ce chapitre contient les instructions de sécurité qui vous aideront à éviter les risques de blessure corporelle ou de dégâts matériels. Le non respect de ces instructions entraînera l'annulation de toute garantie.

Sécurité générale

- Cet appareil peut être utilisé par des enfants de 8 ans et plus et des personnes aux capacités physiques, sensorielles ou mentales réduites ou des personnes dénuées d'expérience ou de connaissance si elles ont pu bénéficier d'une surveillance ou d'instructions concernant l'utilisation de l'appareil en toute sécurité et comprennent les risques encourus.

Les enfants ne doivent pas jouer avec l'appareil. Le nettoyage et l'entretien ne doivent pas être effectués par un enfant sans surveillance.

- Les procédures d'installation et de réparation doivent en tout temps être effectuées par des agents d'entretien qualifiés. Le fabricant ne sera pas responsable des dommages causés à la suite d'une utilisation faite par des personnes non qualifiées, situation susceptible d'annuler aussi la ga-

rantie. Avant l'installation, lisez attentivement les instructions.

- Ne faites pas fonctionner l'appareil s'il est défectueux ou présente des dégâts visibles.
- Assurez-vous que les boutons de fonctionnement de l'appareil sont en position d'arrêt après chaque utilisation.

Sécurité électrique

- Si le produit est en panne, ne l'utilisez pas, à moins qu'il ne soit réparé par un Agent d'entretien agréé. Vous risqueriez un choc électrique !
- Branchez l'appareil uniquement à une sortie/ligne avec mise à la terre ainsi que la tension et la protection spécifiées dans le chapitre « Spécifications techniques ». Faites installer la mise à la terre par un électricien qualifié lorsque vous utilisez l'appareil avec ou sans transformateur. Notre entreprise décline sa responsabilité par rapport à tout problème consécutif à la non mise à la terre de l'appareil suivant la réglementation locale en vigueur.
- Ne lavez jamais l'appareil en y versant de l'eau. Vous risqueriez un choc électrique !

- Débranchez l'appareil pendant les opérations d'installation, d'entretien, de nettoyage et de réparation.
- Si le cordon d'alimentation est endommagé, il doit être remplacé par le fabricant, l'un de ses techniciens ou une personne de qualification similaire afin d'éviter tout risque.
- N'utilisez que le câble d'alimentation spécifié dans le chapitre « Spécifications techniques ».
- Installez l'appareil de sorte que l'on puisse le déconnecter complètement du réseau. La séparation doit être effectuée par une prise secteur ou un commutateur intégré à l'installation électrique fixe, suivant la réglementation en matière de construction.
- La surface arrière du four devient chaude pendant l'utilisation. Vérifiez que le raccordement de électrique n'est pas en contact avec la surface arrière, cela pourrait endommager les connexions.
- Ne pas coincer le câble d'alimentation entre la porte du four et le châssis et ne pas le faire passer sur des surfaces brûlantes. Dans le cas contraire, l'isolation du câble pourrait fondre et provoquer un incendie suite à un court-circuit.
- Toutes les opérations sur des équipements et des systèmes électriques ne peuvent être réalisées que par des personnes habilitées et qualifiées.
- En cas de dégâts, éteignez l'appareil et débranchez-le du secteur. Pour ce faire, coupez le fusible domestique.
- Vérifiez que la tension du fusible est compatible avec l'appareil.

Sécurité du produit

- Les parties accessibles de l'appareil deviennent chaudes au cours de son utilisation. Des mesures doivent être prises pour éviter de toucher aux éléments de chauffage. Les enfants de moins de 8 ans doivent être maintenus à l'écart, sauf s'ils sont continuellement surveillés.
- Ne jamais utiliser l'appareil lorsque le jugement ou la coordination est affectée par l'alcool et/ou la drogue.
- Prenez garde lorsque vous utilisez des boissons alcoolisées dans vos plats. L'alcool s'évapore à températures élevées et peut provoquer un incendie étant donné qu'il peut s'enflammer lorsqu'il entre en contact avec des surfaces chaudes.
- Assurez-vous qu'aucune substance inflammable ne soit placée à proximité de l'appareil étant

donné que les côtés peuvent chauffer pendant son utilisation.

- L'appareil chauffe pendant son utilisation. Des mesures doivent être prises pour éviter de toucher aux éléments de chauffage qui se trouvent à l'intérieur du four.
- épargnez les ouvertures de ventilation d'éventuelles obstructions.
- Ne pas faire chauffer de boîtes de conserves et de bocaux en verre clos dans le four. La pression qui s'accumulerait dans la boîte/le bocal pourrait le faire éclater.
- Ne placez pas de plaques de cuisson, de plats ou de feuille d'aluminium directement sur le bas du four. L'accumulation de chaleur pourrait endommager le fond du four.
- N'utilisez pas de nettoyeurs fortement abrasifs ou de grattoir en métal affûté pour nettoyer la porte vitrée du four car ils peuvent rayer la surface, ce qui peut entraîner fêler la vitre.
- N'utilisez pas de nettoyeurs à vapeur pour le nettoyage de l'appareil, car ceux-ci présentent un risque d'électrocution.
- Utilisez les grilles telles que décrites dans la section « Utilisation du four électrique ».
- Ne pas utiliser l'appareil si la porte en verre est absente ou fendue.

- La poignée du four n'est pas un sèche-serviettes. Ne pendez pas de serviettes, gants ou produits textiles similaires lorsque la porte est ouverte avec la fonction grill.
- Utilisez toujours des gants de protection thermique lorsque vous placez dans ou retirez des plats du four chaud.
- Assurez-vous d'avoir éteint l'appareil avant de procéder au remplacement de l'ampoule. Cette précaution vous évite tout risque de choc électrique.

Pour que le feu produit par votre appareil soit fiable,

- veillez à ce que la fiche soit bien branchée dans la prise afin que des étincelles ne se produisent pas.
- Utilisez uniquement les câbles de rallonge d'origine, et veillez à ce qu'ils ne soient pas coupés ou autrement endommagés.
- Assurez-vous également que la prise ne contient pas de liquide ni de moisissure avant de brancher l'appareil.

Utilisation prévue

- Cet appareil est conçu pour un usage domestique. L'utilisation commerciale est interdite.
- Cette appareil doit être utilisé seulement à des fins de cuisson. Il ne doit pas être utilisé à

d'autres fins, par exemple le chauffage de la pièce.'

- Évitez d'utiliser cet appareil pour réchauffer les assiettes sous le grill, accrocher des serviettes et des torchons, etc. sur les poignées, sécher et réchauffer quoi que ce soit.
- Le fabricant ne saurait être tenu responsable des dégâts causés par une utilisation ou une manipulation incorrecte.
- Le four peut être utilisé pour décongeler, cuire, rôtir et griller des aliments.

Sécurité des enfants

- Les parties accessibles peuvent s'échauffer pendant l'utilisation. Les enfants doivent être tenus à l'écart.
- Les matériaux d'emballage peuvent présenter un danger pour les enfants. Gardez les matériaux d'emballage hors de portée des enfants. Veuillez jeter les pièces de l'emballage en respectant les normes écologiques.
- Les appareils électriques et/ou à gaz sont dangereux pour les enfants. Tenez les enfants à l'écart de l'appareil lorsqu'il fonctionne et interdisez-leur de jouer avec.
- Ne rangez pas d'objets au dessus de l'appareil que les enfants pourraient atteindre.

- Lorsque la porte avant est ouverte, **ne posez pas** d'objets lourds dessus et **ne permettez pas** aux enfants de s'y asseoir. Il pourrait basculer ou les charnières de porte être endommagées.

Mise au rebut de l'ancien appareil



Mettez l'ancien appareil au rebut de manière responsable envers l'environnement.

Ce produit porte le symbole de tri sélectif correspondant aux déchets des équipements électriques et électroniques (DEEE). Cela signifie que ce produit doit être manipulé conformément à la directive européenne 2002/96/CE afin d'être recyclé et démonté de manière à minimiser ses effets sur l'environnement. Pour de plus amples informations, veuillez contacter les autorités locales ou régionales.

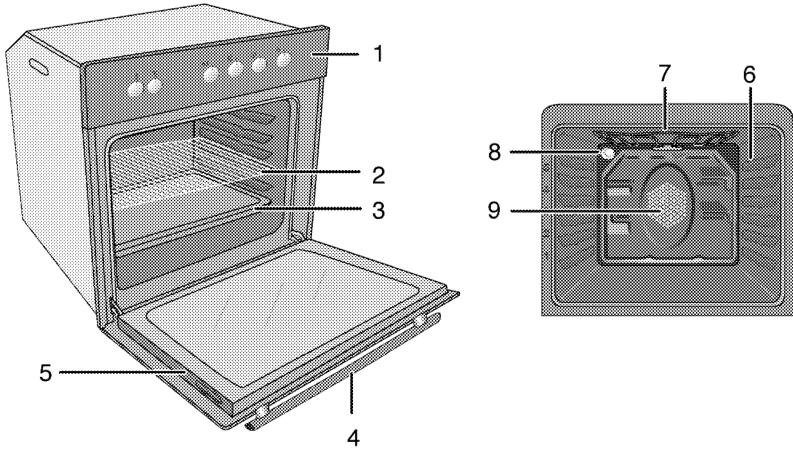
Consultez votre revendeur ou le centre de collecte des déchets de votre région pour vous renseigner sur la mise au rebut de votre appareil. Avant de mettre l'appareil au rebut, sectionnez le câble d'alimentation et verrouillez la porte (le cas échéant) de manière à le rendre inutilisable et inoffensif pour les enfants.

Elimination des emballages

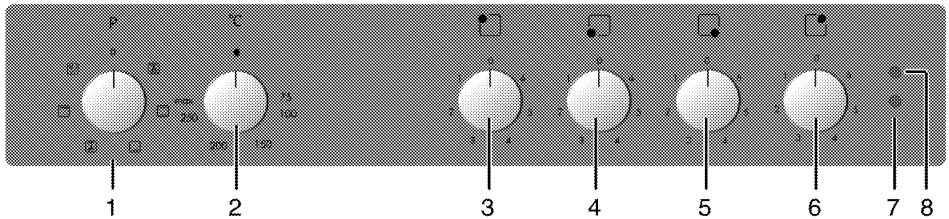
- Les emballages sont dangereux pour les enfants. Conservez les emballages en lieu sûr à l'écart des enfants. Les emballages de l'appareil sont fabriqués à partir de matériaux recyclés. Éliminez-les de manière appropriée et triez-les en fonction des instructions de recyclage des déchets. Ne les jetez pas avec les déchets domestiques normaux.

2 Généralités

Vue d'ensemble



- | | | | |
|---|---------------------|---|---|
| 1 | Bandeau de commande | 6 | Positions de la grille |
| 2 | Grille | 7 | Élément chauffant supérieur |
| 3 | Plaque | 8 | Ampoule |
| 4 | Poignée | 9 | Moteur du ventilateur (derrière la plaque en acier) |
| 5 | Porte | | |



- | | | | |
|---|---|---|--|
| 1 | Molette de sélection des fonctions | 5 | Plaque de cuisson à circuit simple Avant droit |
| 2 | Molette de réglage du thermostat | 6 | Plaque de cuisson à circuit simple Arrière droit |
| 3 | Plaque de cuisson à circuit simple Arrière gauche | 7 | Lampe de thermostat |
| 4 | Plaque de cuisson à circuit simple Avant gauche | 8 | Témoin d'avertissement |

Contenu de l'emballage

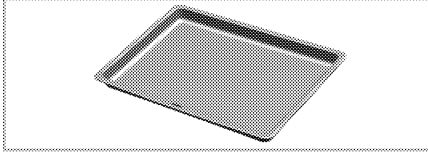


Les accessoires fournis peuvent varier selon le modèle de l'appareil. Tous les accessoires décrits dans le manuel d'utilisation peuvent ne pas faire partie de votre appareil.

1. **Manuel de l'utilisateur**

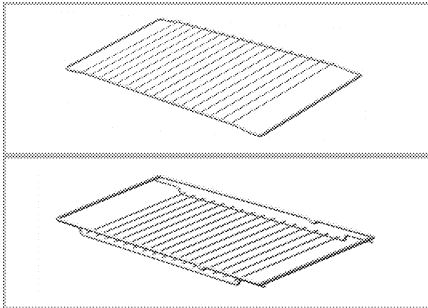
2. **Plaque à gâteau**

Utilisée pour les pâtisseries telles que les cookies et les biscuits.



3. **Grille**

Utilisée pour les rôtis et pour les aliments à cuire, rôtir ou pour les ragoûts, elle se place dans le châssis à la hauteur souhaitée.



Caractéristiques techniques

Tension/fréquence	220- 240 V (1N) / 380- 415 V (3N) ~ 50 Hz
Consommation d'énergie totale	max. 9.4 kW
Fusible	min. 16 A (3x) / 40 A (1x)
Type de câble/section	H05VV-F 4.0 mm ² (220-240 V) / 2.5 mm ² (380-415 V)
Longueur de câble	max. 2 m
Dimensions extérieures (hauteur/longueur/profondeur)	595 mm/594 mm/567 mm
Dimensions d'installation (hauteur/longueur/profondeur)	**590 ou 600 mm/560 mm/min. 550 mm
Four principal	Four multifonction
Classe d'efficacité énergétique [#]	A
Ampoule interne	15/25 W
Consommation électrique du grill	2.2 kW

[#] Données de base : Les informations sur l'étiquette énergétique des fours électriques sont fournies conformément à la norme EN 50304. Ces valeurs sont déterminées à charge standard avec des résistances de voûte et de sole ou des fonctions de cuisson ventilée (le cas échéant).



Les caractéristiques techniques peuvent changer sans avis préalable afin d'améliorer la qualité de l'appareil.



Les illustrations comprises dans ce manuel sont schématiques et peuvent ne pas correspondre exactement à l'appareil.



Les valeurs mentionnées sur les étiquettes de l'appareil ou dans la documentation qui l'accompagne sont obtenues dans des conditions de laboratoire conformément aux normes correspondantes. En fonction des conditions de fonctionnement et de l'environnement de l'appareil, ces valeurs peuvent varier.

Configurations de la table de cuisson

WATT	DIA	SHAPE	MKN 14101 E			MKN 14100 N														
2200/750	210/120	DOUBLE CERCLE																		
1200	140	SIMPLE	X	X	X	X														
1500	160	SIMPLE																		
2000/1100	140/240	ETENDU																		
2000/1100	140/250	ETENDU																		
2400/1500	170/265	ETENDU																		
1800	180	SIMPLE		X																
1700	180	SIMPLE	X		X	X														
2300	210	SIMPLE																		
1700/700	180/120	DOUBLE CERCLE																		
2300/800/800	210/175/120	TRIPLE CERCLE																		
110-80	260x170	SIMPLE																		
2700/2200/1050	275/210/145	TRIPLE CERCLE																		
2000/600	210/120	DOUBLE CERCLE																		
2500/1600/800	230/180/120	TRIPLE CERCLE																		
2100/1750/900	350/200/145	DOUBLE CERCLE ETENDU																		
2400/1500	230/180	DOUBLE CERCLE																		
110		PLAQUE A RECHAUFFER																		
			5800 W			5800 W														

* Protection contre la surchauffe

** Les plaques chauffantes à double cercle et à cercle étendu ne peuvent pas être utilisées en combinaison avec les modèles signalés.

3 Installation

Le produit doit être installé par une personne qualifiée conformément à la réglementation en vigueur. Dans le cas contraire, la garantie n'est pas valable. Le fabricant se sera pas tenu pour responsable des dégâts consécutifs à des procédures réalisées par des personnes non autorisées et pourra annuler la garantie dans ce cas.



La préparation de l'emplacement et l'installation de l'électricité pour l'appareil sont sous la responsabilité du client.



DANGER:

Installez l'appareil conformément aux réglementations en matière de gaz et d'électricité en vigueur dans votre localité.



DANGER:

Avant l'installation, regardez si l'appareil présente des défauts. Si tel est le cas, ne le faites pas installer. Les appareils endommagés présentent des risques pour votre sécurité.

Avant l'installation

Les appareils sont destinés à être installés dans les meubles de cuisines disponibles dans le commerce. Une distance de sécurité doit être laissée entre l'appareil et les parois de la cuisine et des meubles. Voir le schéma (valeurs en mm).

- Il peut aussi être utilisé en position debout, de manière autonome. Laissez une distance minimum de 750 mm au-dessus de la surface de la table de cuisson.
- (*) S'il faut encastrer une hotte au-dessus de la cuisinière, reportez-vous aux consignes du fabricant de la hotte concernant la hauteur d'installation (Min 650 mm)..
- Retirez les matériaux d'emballage et les sécurités de transport.

- Les surfaces, les feuilles laminées synthétiques et les adhésifs doivent résister à la chaleur (jusqu'à 100 °C min.).
- L'alimentation de la table de cuisson est fournie par le four. Les deux appareils doivent être installés l'un au-dessus de l'autre.
- Découpez une ouverture pour la table de cuisson dans le plan de travail en fonction des dimensions d'installation.
- Posez des joints d'étanchéité sur les bords découpés et les rebords.
- Le plan de travail et les meubles de cuisine doivent être stables et fixés.
- La table de cuisson peut être installée avec **un** rebord accolée à des meubles, appareils ou murs plus hauts.
- Il doit y avoir un peu d'espace libre entre la paroi arrière du four et le mur de la cuisine pour laisser l'air circuler.
- S'il y a un tiroir sous le four, une étagère doit être installée entre ce four et le tiroir.
- Transportez l'appareil avec au minimum deux personnes.



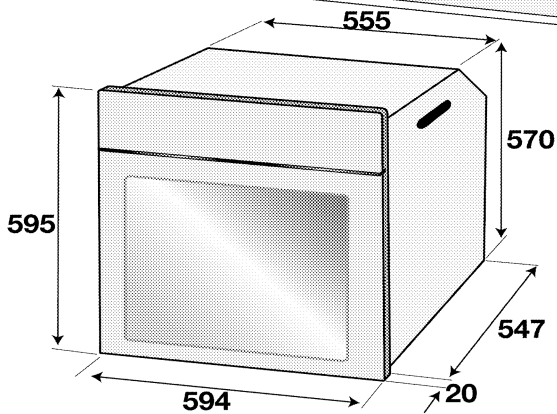
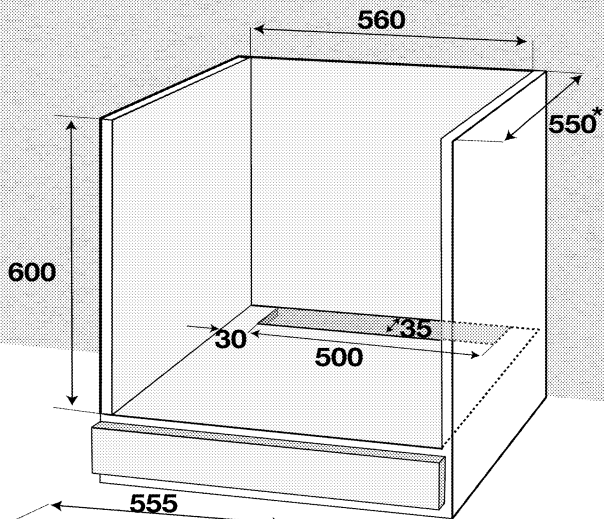
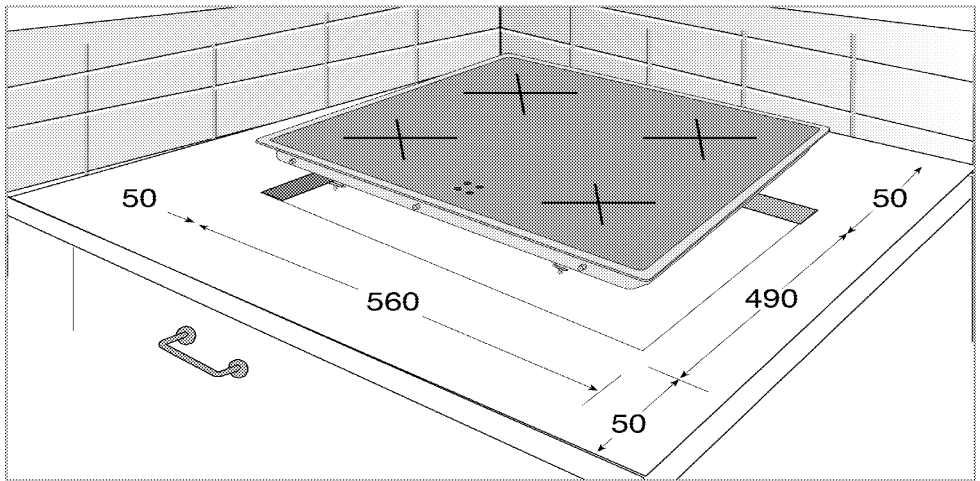
N'installez pas l'appareil à proximité de réfrigérateurs ou congélateurs. La chaleur émise par l'appareil augmenterait la consommation d'énergie des dispositifs de refroidissement.



N'utilisez pas la porte et/ou la poignée pour porter ou déplacer l'appareil.



Si votre appareil est doté de poignées métalliques, veuillez les repousser à l'intérieur des parois latérales après l'avoir déplacé.



* min.

Installation et branchement

- L'appareil doit être installé et raccordé conformément aux réglementations d'installation en vigueur.

Raccordement électrique

Branchez l'appareil à une ligne de terre protégée par un fusible de capacité suffisante tel qu'indiqué dans le tableau "Caractéristiques techniques". Faites installer la mise à la terre par un électricien qualifié lorsque vous utilisez l'appareil avec ou sans transformateur. Notre société ne sera pas tenue pour responsable des dégâts qui surviendraient de l'utilisation de l'appareil sans une installation de mise à la terre conforme aux réglementations locales en vigueur.



DANGER:

L'appareil doit uniquement être raccordé à l'alimentation électrique par une personne autorisée et qualifiée. La période de garantie de l'appareil démarre uniquement après son installation correcte.

Le fabricant se sera pas tenu pour responsable des dégâts consécutifs à des procédures réalisées par des personnes non autorisées.



DANGER:

Le câble d'alimentation ne doit pas être serré, plié ou pincé ou entrer en contact avec des pièces chaudes de l'appareil.

Un câble d'alimentation endommagé doit être remplacé par un électricien qualifié. Dans le cas contraire, il présente un risque d'électrocution, de court-circuit ou d'incendie !

- La connexion doit être conforme aux réglementations nationales en vigueur.
- Les valeurs de l'alimentation électrique doivent correspondre aux valeurs figurant sur la plaque signalétique de l'appareil. Ouvrez la porte pour voir la plaque signalétique.
- Le câble d'alimentation de l'appareil doit être conforme aux valeurs du tableau "Caractéristiques techniques".



DANGER:

Avant d'effectuer tout travail sur l'installation électrique, l'appareil doit être débranché du réseau d'alimentation électrique.

Vous risqueriez un choc électrique !

Raccordement du câble d'alimentation

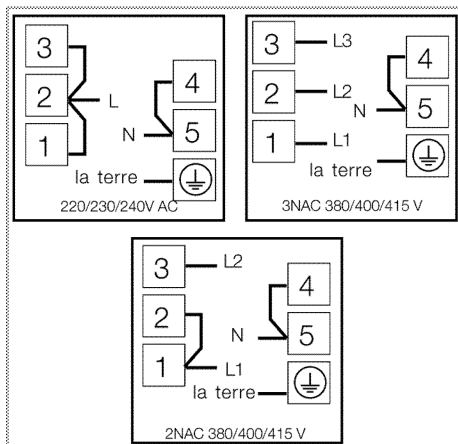
1. Si votre produit est fourni sans câble d'alimentation, vous devez brancher à votre produit un câble d'alimentation choisi à partir du tableau (*Caractéristiques techniques, page 11*) en conformité avec l'installation électrique de votre domicile, en suivant les instructions sur le diagramme du câble.

S'il n'est pas possible de débrancher tous les pôles de la source d'alimentation, une unité de déconnexion avec une ouverture minimale de 3 mm (fusibles, interrupteurs de sécurités, contacts) doit être connectée et tous les pôles de cette unité de déconnexion doivent être adjacents au produit (et non au-dessus), conformément aux directives IEE. Le non respect de ces instructions risque de causer des problèmes de fonctionnement et d'invalider la garantie du produit.



Une protection supplémentaire par un disjoncteur de courant résiduel est recommandée.

2. Ouvrez le couvercle du boîtier de raccordement à bornes à l'aide d'un tournevis.
3. Insérez le câble d'alimentation dans le collier de serrage pour câble sous la borne et fixez-le au corps principal avec la vis intégré sur le collier de serrage.
4. Branchez les câbles en respectant le schéma de câblage.



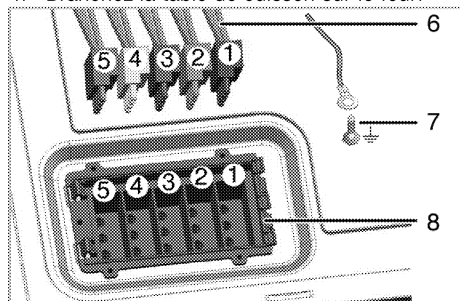
- Après avoir effectué les connexions électriques, refermez le couvercle du boîtier de raccordement des bornes.
- Dirigez le câble d'alimentation de sorte qu'il ne soit pas en contact avec le produit ni écrasé entre le produit et le mur.



Le câble d'alimentation ne doit pas être plus long que 2 m pour des raisons de sécurité.

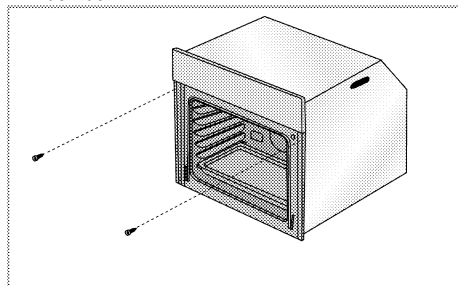
Installation des produits

- Fixez la table de cuisson.
- Effectuez les branchements du four.
- Glissez le four dans son emplacement à mi-chemin.
- Branchez la table de cuisson sur le four.



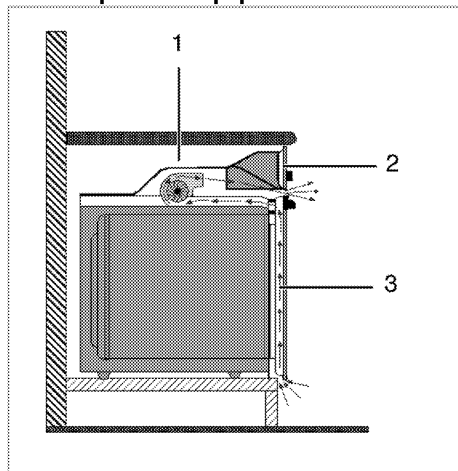
- Rouge
- Noir
- Blanc
- Bleu
- Vert
- Câbles de la table de cuisson

- Connexion du câble de terre (Vert/Jaune)
- Entrées des connexion du câble du four (borne)
- Faites coulisser le four dans le meuble, alignez-le et fixez-le en vous assurant que le câble d'alimentation n'est pas rompu et/ou coincé.



Fixez le four avec les 2 vis comme sur l'illustration.

Pour les produits équipés d'un ventilateur



- Ventilateur
- Bandeau de commande
- Porte

Le ventilateur intégré refroidit à la fois le meuble intégré et la façade de l'appareil.



Le ventilateur continue de fonctionner pendant 20 à 30 minutes même après l'extinction du four.

Vérification finale

1. Branchez le câble d'alimentation et enclenchez le fusible de l'appareil.
2. Vérifiez les fonctions.

Déplacement ultérieur

- Conservez le carton d'origine de l'appareil et utilisez-le pour déplacer le produit. Suivez les instructions figurant sur le carton. Si vous n'avez plus le carton original, emballez l'appareil dans du film à bulles ou du carton épais avec du ruban adhésif pour maintenir le tout.
- Afin d'éviter que la grille et la plaque situés à l'intérieur du four n'endommagent la porte, placez une bande de carton sur la contre-porte à hauteur des plaques. Attachez la porte du four aux parois latérales à l'aide de ruban adhésif.
- N'utilisez pas la porte ou la poignée pour soulever ou déplacer l'appareil.



Ne placez aucun objet sur l'appareil et déplacez-le bien à plat.



Inspectez l'aspect général de l'appareil pour déceler les dégâts potentiellement dus au transport.

4 Préparations

Conseils pour faire des économies d'énergie

Les conseils suivants vous permettront d'utiliser votre appareil de façon écologique et d'économiser ainsi de l'énergie :

- Utilisez des ustensiles de cuisine de couleur obscure et recouverts d'émail car la transmission de chaleur sera améliorée.
- Lorsque vous cuisinez, lancez un préchauffage si cela est conseillé dans le manuel d'utilisation ou la description de la recette.
- N'ouvrez pas la porte du four trop souvent pendant la cuisson.
- Essayez de faire cuire plusieurs plats simultanément dans le four lorsque vous le pouvez. Vous pouvez placer deux plats de cuisson sur le châssis métallique.
- Faites cuire plusieurs plats successivement. Le four sera déjà à température.
- Vous pouvez économiser de l'énergie en éteignant votre four quelques minutes avant la fin du temps de cuisson. N'ouvrez pas la porte du four.
- Décongelez les plats surgelés avant de les cuire.

Première utilisation

Premier nettoyage de l'appareil



La surface pourrait être endommagée par certains détergents ou produits de nettoyage.

N'utilisez pas de détergents agressifs, de poudre/crèmes de nettoyage ou d'objets tranchants pour le nettoyage.

1. Retirez tous les matériaux d'emballage.
2. Essuyez les surfaces de l'appareil à l'aide d'un chiffon humide ou d'une éponge et terminez avec un chiffon.

Première cuisson

Faites chauffer l'appareil pendant 30 minutes puis éteignez-le. De cette manière, tous les résidus de production ou les couches de conservation seront brûlés et supprimés.



AVERTISSEMENT

Les surfaces chaudes peuvent provoquer des brûlures !

L'appareil peut être très chaud pendant son utilisation. Ne touchez jamais les brûleurs, sections internes du four, résistances, etc. lorsqu'ils sont chauds. Tenez les enfants à l'écart.

Utilisez toujours des gants de protection thermique lorsque vous placez dans ou retirez des plats du four chaud.

Four électrique

1. Sortez toutes les plaques de cuisson et la grille métallique du four.
2. Fermez la porte du four.
3. Sélectionnez la position "Traditionnel".
4. Sélectionnez l'intensité la plus forte pour le grill ; voir *Utilisation du four électrique*, page 19.
5. Faites fonctionner le four environ 30 minutes.
6. Eteignez votre four ; voir *Utilisation du four électrique*, page 19

Four à grill

1. Sortez toutes les plaques de cuisson et la grille métallique du four.
2. Fermez la porte du four.
3. Sélectionnez l'intensité la plus forte pour le grill ; voir *Utilisation du grill*, page 22.
4. Faites fonctionner le four environ 30 minutes.
5. Eteignez votre grill ; voir *Utilisation du grill*, page 22



Une odeur et de la fumée peuvent se dégager pendant quelques heures au cours de la première utilisation. Ce phénomène est tout à fait normal. Assurez-vous que la pièce est bien aérée pour évacuer l'odeur et la fumée. Évitez d'avaler la fumée et l'odeur qui se dégagent.

5 Utilisation du four

Informations générales concernant la pâtisserie, la rôtisserie et les grillades



AVERTISSEMENT

Les surfaces chaudes peuvent provoquer des brûlures !

L'appareil peut être très chaud pendant son utilisation. Ne touchez jamais les brûleurs, sections internes du four, résistances, etc. lorsqu'ils sont chauds. Tenez les enfants à l'écart.

Utilisez toujours des gants de protection thermique lorsque vous placez dans ou retirez des plats du four chaud.



DANGER:

Faites attention lors de l'ouverture du four car de la vapeur peut s'en échapper.

La vapeur peut provoquer des brûlures sur vos mains, votre visage et/ou vos yeux.

Conseils pour la pâtisserie

- Utilisez des plats en métal anti-adhérent adaptés ou des ustensiles en aluminium ou des moules en silicone résistant à la chaleur.
- Utilisez l'espace de la plaque au mieux.
- Placez le moule de cuisson au milieu.
- Sélectionnez l'emplacement adapté avant d'allumer le four ou le grill. Ne changez pas d'emplacement lorsque le four est chaud.
- Gardez la porte du four fermée.

Conseils pour rôtir

- Assaisonner les poulets entiers, dindes et gros morceaux de viande avec du jus de citron et du poivre noir avant la cuisson augmentera la performance de cuisson.
- La viande rôtie met 15 à 30 minutes de plus à cuire avec des os par rapport à un rôti équivalent sans os.
- Chaque centimètre d'épaisseur de viande requiert environ 4 à 5 minutes de temps de cuisson.
- Laissez la viande reposer dans le four pendant environ 10 minutes après le temps de

cuisson. Le jus se répartira sur l'ensemble de la viande et ne coulera pas à sa découpe.

- Le poisson doit être placé au milieu du four ou plus bas dans un plat résistant au feu.

Conseils pour les grillades

Lorsque la viande, poissons et volailles sont grillés, ils brunissent rapidement, deviennent croustillants et ne séchent pas. Les morceaux minces, les brochettes de viandes et les saucisses mais également les légumes à forte teneur en liquide (par exemple les tomates et les oignons, sont particulièrement adaptés à cette cuisson.

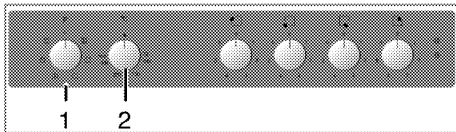
- Répartissez les morceaux à griller sur la grille métallique ou la plaque de cuisson avec la grille métallique de manière à ce que l'espace couvert ne dépasse pas la taille de la résistance.
- Glissez la grille ou la plaque de cuisson avec la grille dans le four au niveau souhaité. Si vous faites des grillades sur la grille, glissez la plaque de cuisson sur le châssis pour recueillir les graisses. Ajoutez un peu d'eau dans la plaque de cuisson pour faciliter le nettoyage.



Les aliments non adaptés pour le grill exposent à des risques d'incendie. N'utilisez que des aliments à griller adaptés à une chaleur de grill intense. Ne placez pas la nourriture trop au fond du grill. Il s'agit de la zone la plus chaude et les aliments gras pourraient prendre feu.

Utilisation du four électrique

Sélection d'une température et d'un mode de fonctionnement.



- 1 Molette de sélection des fonctions
- 2 Molette de réglage du thermostat

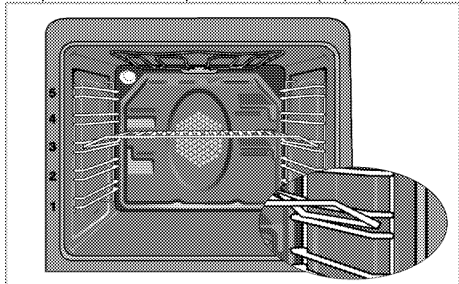
1. Réglez la manette Température sur la température souhaitée.

2. Réglez la manette des fonctions sur la température souhaitée.

» Le four chauffe à la température réglée et garde cette température. Pendant le chauffage, l'ampoule de la température reste allumée.

Arrêt du four électrique

Tournez la manette des fonctions et celle de la température sur la position arrêt (supérieure).



Positions des châssis (pour modèle avec grill)

Il est important de placer la grille correctement sur le châssis. La grille doit être insérée entre les châssis métalliques comme sur l'illustration.

Ne laissez pas la plaque du grill appuyée sur le mur arrière du four. Faites coulisser la grille vers l'avant du châssis et placez-la à l'aide de la contre-porte afin d'obtenir les meilleures performances du grill.

Modes de fonctionnement

L'ordre des modes de fonctionnement présenté peut varier sur votre appareil.

Chauffage supérieur et inférieur



Le chauffage supérieur et inférieur fonctionne. Les aliments sont cuits simultanément par le dessus et le dessous. Par exemple, il est adapté pour des gâteaux, des pâtisseries ou des gâteaux et des ragoûts dans des moules. Cuisson avec une seule plaque.

Sole



Seule la sole fonctionne. Adapté par ex. pour des pizza et pour dorer le dessous des plats.

Élément chauffant supérieur/inférieur avec ventilateur



Les éléments supérieur et inférieur et le ventilateur (dans la paroi arrière) sont en marche. De l'air chaud est rapidement envoyé également dans le four au moyen du ventilateur. Cuisson avec une seule plaque.

Grill fort



Le grand grill sur le haut du four fonctionne. Adapté pour les griller de grandes quantités de viande.

- Placez des portions de grande ou moyenne taille correctement sous la résistance de grill pour les grillades.
- Réglez la température sur le niveau maximum.
- Retournez la nourriture à mi-cuisson.

Grill pulsé



L'effet grill n'est pas aussi fort que sur Grill fort

- Placez des portions de petite ou moyenne taille correctement sous l'élément de grill pour les grillades.
- Réglez la température désirée.
- Retournez la nourriture à mi-cuisson.

Booster



Cette fonction est utilisée pour chauffer le four rapidement, elle ne convient pas pour cuire les aliments.

- Sélectionnez la température désirée après avoir sélectionné cette fonction. Le voyant de la température s'allume et le four chauffe.
- Le voyant s'éteint après la fin du processus de chauffage. Sélectionnez maintenant la fonction désirée pour cuire vos aliments.

Tableau des temps de cuisson



Les durées indiquées dans ce tableau ne servent que d'exemple. Elles peuvent varier selon la température, l'épaisseur et le type d'aliments, ainsi que vos préférences de cuisson.

Cuisson au four et rôtisserie



Le 1er étage du four est l'emplacement du châssis du bas.

Plat	Niveau de cuisson	Emplacement du châssis	Température (°C)	Temps de cuisson (approx. en min.)
**Gâteaux sur plaque	Un niveau	3	175	25 ... 30
**Gâteaux en moule	Un niveau	2	175	40 ... 50
**Gâteaux dans du papier alimentaire	Un niveau	3	175	25 ... 30
**Génoise	Un niveau	3	200	5 ... 10
**Cookies	Un niveau	3	175	25 ... 30
**Pâte à choux	Un niveau	2	200	30 ... 40
**Pâte au beurre	Un niveau	2	200	25 ... 35
**Levain de pâte	Un niveau	2	200	35 ... 45
**Lasagnes	Un niveau	2-3	200	30 ... 40
**Pizza	Un niveau	2	200 ... 220	15 ... 20
Bifteck (entier) / Rôti	Un niveau	3	25 min. 250/max. puis 180 ... 190	100 ... 120
Gigot d'agneau (casserole)	Un niveau	3	25 min. 220, puis 180 ... 190	70 ... 90
Poulet rôti	Un niveau	2	15 min. 250/max. puis 180 ... 190	55 ... 65
Dinde (5,5 kg)	Un niveau	1	25 min. 250/max. puis 180 ... 190	150 ... 210
Poisson	Un niveau	3	200	20 ... 30

(**) Pour une cuisson nécessitant un préchauffage, préchauffez au début de la cuisson jusqu'à ce que le témoin du thermostat s'éteigne.

Conseils pour la pâtisserie

- Si le gâteau est trop sec, augmentez la température de 10°C et réduisez le temps de cuisson.
- Si le gâteau est trop humide, utilisez moins de liquide ou baissez la température de 10°C.
- Si le gâteau est trop foncé sur le dessus, placez-le au niveau inférieur, baissez la température et augmentez le temps de cuisson.
- S'il est bien cuit à l'intérieur mais collant à l'extérieur, utilisez moins de liquide, baissez la température et augmentez le temps de cuisson.

Conseils pour la pâtisserie

- Si la pâtisserie est trop sèche, augmentez la température de 10°C et réduisez le temps

de cuisson. Humectez les couches de pâte avec une sauce composée de lait, d'huile, d'oeuf et de yaourt.

- Si la pâtisserie met trop de temps pour cuire, faites attention à ce que l'épaisseur de la pâtisserie que vous avez préparée ne dépasse pas la profondeur de la plaque.
- Si la partie supérieure de la pâtisserie dore mais que la partie inférieure n'est pas cuite, vérifiez que vous n'avez pas utilisé trop de sauce pour le bas de la pâtisserie. Essayez de répandre la sauce équitablement sur les couches de pâte et le haut de la pâtisserie afin de les dorer au même niveau.



Faites cuire la pâte conformément au mode et à la température indiqués dans le tableau de cuisson. Si la partie inférieure n'est toujours pas suffisamment dorée, la prochaine fois, placez-la à un niveau inférieur.

Conseils pour la cuisson des légumes

- Si le plat de légumes ne contient plus de jus et devient trop sec, cuisez-les dans une casserole avec un couvercle au lieu d'une plaque. Les récipients clos préservent le jus du plat.
- Si un plat de légumes ne cuit pas, faites bouillir les légumes au préalable ou préparez-les comme des aliments en conserve et placez-les au four.

Utilisation du grill



AVERTISSEMENT

Fermez la porte du four pendant les grillades.
Les surfaces chaudes peuvent brûler !

Allumage du grill

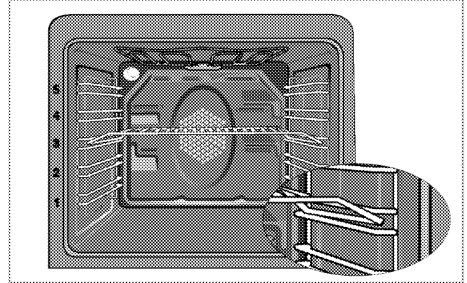
1. Tournez la manette Fonction dans le sens des aiguilles d'une montre sur le symbole du grill.
 2. Réglez ensuite la température désirée du grill.
 3. Si nécessaire, effectuez un préchauffage d'environ 5 minutes.
- » Le voyant du thermostat (température) s'allume.

Extinction du grill

1. Tournez la manette des fonctions sur la position arrêt (haut).

Emplacements des châssis

Les performances du grill diminuent si la grille repose contre l'arrière du châssis. Faites coulisser la grille vers l'avant du châssis et placez-la à l'aide de la contre-porte afin d'obtenir les meilleures performances du grill.



Les aliments non adaptés pour le grill exposent à des risques d'incendie. N'utilisez que des aliments à griller adaptés à une chaleur de grill intense. Ne placez pas la nourriture trop au fond du grill. Il s'agit de la zone la plus chaude et les aliments gras pourraient prendre feu.

Tableau des temps de cuisson pour le grill

Grillade par grill électrique

Aliments	Position de la grille	Temps de grillade (environ)
Poisson	4..5	20..25 min. #
Ailes ou cuisses de poulet	4..5	25..35 min.
Côtelettes d'agneau	4..5	20..25 min.
Rôti de bœuf	4..5	25..30 min. #
Côtelettes de veau	4..5	25..30 min. #
Pain toast	4	1..2 min.

selon l'épaisseur

6 Maintenance et entretien

Généralités

Un nettoyage régulier de l'appareil en rallongera la durée de vie et diminuera l'apparition de problèmes.



DANGER:

Débranchez l'appareil de la prise d'alimentation avant de commencer le nettoyage et l'entretien.
Vous risqueriez un choc électrique !



DANGER:

Laissez l'appareil refroidir avant de le nettoyer.
Les surfaces chaudes peuvent brûler !

- Nettoyez l'appareil après chaque utilisation. Il vous sera ainsi possible d'ôter plus facilement les résidus de nourriture éventuels, évitant ainsi qu'ils ne brûlent lors de l'utilisation suivante.
- Aucun produit nettoyant particulier n'est nécessaire pour nettoyer l'appareil. Utilisez de l'eau tiède avec du détergent, un chiffon doux ou une éponge pour nettoyer l'appareil et essuyez-le à l'aide d'un chiffon sec.
- Veillez toujours à bien essuyer les excès de liquide après le nettoyage et essuyez immédiatement tout déversement.
- N'utilisez pas de détergents contenant de l'acide ou du chlore pour nettoyer les surfaces en acier inoxydable et la poignée. Utilisez un chiffon doux avec un détergent liquide non abrasif pour nettoyer ces parties, en prenant soin de toujours frotter dans le même sens.



La surface pourrait être endommagée par certains détergents ou produits de nettoyage.

N'utilisez pas de détergents agressifs, de poudre/crèmes de nettoyage ou d'objets tranchants pour le nettoyage.



N'utilisez pas de nettoyeurs à vapeur pour le nettoyage de l'appareil, car ceux-ci présentent un risque d'électrocution.

Nettoyage du bandeau de commande

Nettoyez le bandeau de commande et les boutons de commande avec un chiffon humide et essuyez-les.



Ne retirez pas les boutons de commande pour nettoyer le bandeau de commande. Le panneau de commande pourrait être endommagé !

Nettoyage du four

Nettoyage de la porte du four.

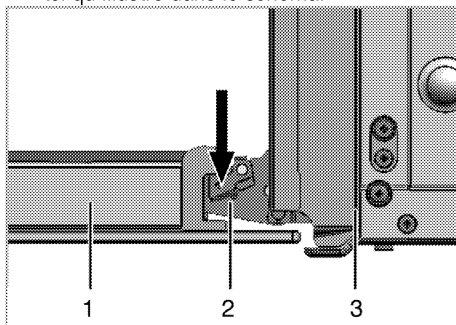
Utilisez de l'eau tiède avec du détergent, un chiffon doux ou une éponge pour nettoyer la porte du four et essuyez l'appareil à l'aide d'un chiffon sec.



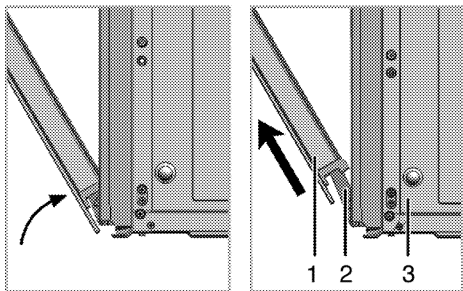
N'utilisez pas de détergents abrasifs ou de grattoirs en métal dur pour nettoyer la porte du four. Vous pourriez rayer la surface et endommager la vitre.

Retirer la porte du four.

1. Ouvrez la porte frontale (1).
2. Ouvrez les clips sur le logement de la charnière (2) sur les côtés droit et gauche de la porte frontale en faisant pression sur les clips, tel qu'illustré dans le schéma.



- 1 Porte frontale
- 2 Charnière
- 3 Four



3. Ouvrez la porte frontale à moitié.
4. Retirez la porte frontale en la tirant vers le haut pour la libérer des charnières droite et gauche.

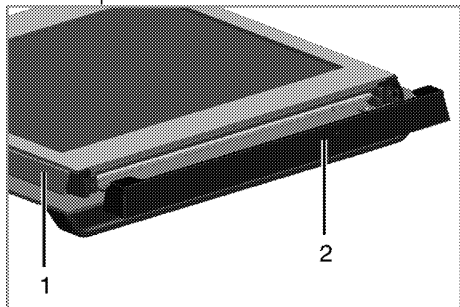


Les étapes effectuées pendant le processus de retrait doivent être suivies dans l'ordre inverse pour installer la porte. N'oubliez pas de fermer les clips du logement de la charnière lors de la réinstallation de la porte.

Retrait de la vitre de la porte

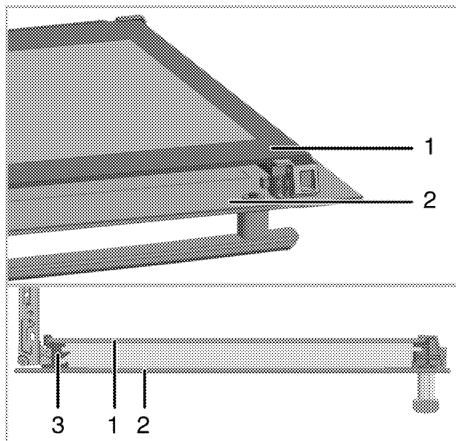
Le panneau vitré interne de la porte du four peut être retiré pour le nettoyage.

Ouvrez la porte du four.



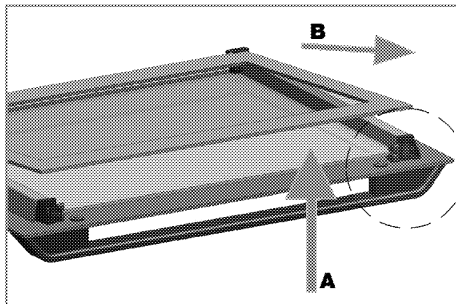
- 1 Cadre
- 2 Pice en plastique

Tirez vers vous et retirez le morceau en plastique plac sur le haut de la porte d'entre.



- 1 Panneau vitré du fond
- 2 Panneau de verre extérieur
- 3 Encoche en plastique du panneau de vert-Bas

Comme illustré sur la figure, soulevez également le panneau de verre plus l'intérieur (1) vers **A** et tirez-le vers **B**.



Quand vous installez le panneau de verre intérieur (1), vérifiez que le ct imprim du panneau fait face au second panneau.

Il est important d'asseoir les coins inférieurs de tous les panneaux en verre intérieurs dans l'encoche en plastique inférieure.

Poussez le morceau en plastique dans le cadre jusqu'à ce que vous entendiez un "click".

Remplacement de l'ampoule du four



DANGER:

Avant de remplacer l'ampoule de four, vérifiez que l'appareil est débranché de l'alimentation et froid afin d'éviter tout risque de choc électrique.

Les surfaces chaudes peuvent brûler !



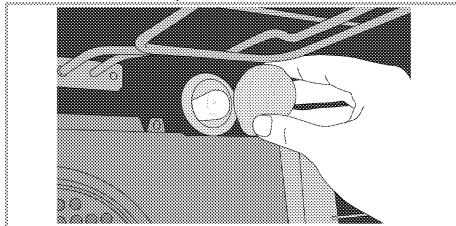
L'ampoule du four est une ampoule électrique d'éclairage spéciale pouvant résister à des chaleurs allant jusqu'à 300°C. Reportez-vous aux *Caractéristiques techniques, page 11* pour les détails. Des ampoules de four sont disponibles auprès de votre technicien autorisé.



L'emplacement de la lampe peut varier par rapport à l'illustration.

Si votre four est équipé d'une lampe ronde :

1. Débranchez l'appareil de l'alimentation.
2. Dévissez le cache de l'ampoule en le tournant dans le sens contraire des aiguilles d'une montre pour l'enlever.



3. Dévissez l'ampoule du four en la tournant dans le sens inverse des aiguilles d'une montre et remplacez-la par une ampoule neuve.
4. Remettez en place le cache de l'ampoule.

7 Recherche et résolution des pannes

Le four émet de la vapeur lorsqu'il est en marche..

- Il est normal que de la vapeur s'échappe pendant le fonctionnement. >>> *Cela n'est pas un défaut.*

Le four émet des bruits métalliques lors des phases de chauffage et de refroidissement.

- Lorsque les pièces métalliques sont chauffées, elles peuvent se détendre et émettre ces bruits. >>> *Cela n'est pas un défaut.*

Le four ne fonctionne pas.

- Le fusible d'alimentation est défectueux ou grillé. >>> *Vérifiez les fusibles dans la boîte à fusibles. Remplacez ou réactivez-les le cas échéant.*
- L'appareil n'est pas relié à la prise de mise à la terre. >>> *Vérifiez le branchement de la prise.*

La lumière du four ne s'allume pas.

- L'ampoule du four est défectueuse. >>> *Remplacer l'ampoule du four.*
- L'alimentation est coupée. >>> *Vérifiez s'il y a du courant. Vérifiez les fusibles dans la boîte à fusibles. Remplacez ou réactivez-les le cas échéant.*

Le four ne chauffe pas.

- La fonction et /ou la température ne sont pas réglées. >>> *Réglez la fonction et la température avec les touches/manettes fonction et/ou température.*
- L'alimentation est coupée. >>> *Vérifiez s'il y a du courant. Vérifiez les fusibles dans la boîte à fusibles. Remplacez ou réactivez-les le cas échéant.*



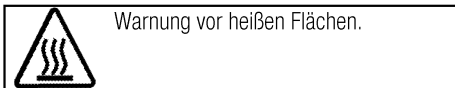
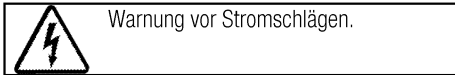
Consultez le technicien autorisé ou le revendeur qui vous a vendu l'appareil si vous ne parvenez pas à résoudre le problème après avoir suivi les instructions comprises dans ce chapitre. N'essayez jamais de réparer un appareil défectueux vous-même.

Bitte zuerst diese Anleitung lesen.

Sehr geehrte Kundin, sehr geehrter Kunde,
vielen Dank für den Kauf eines Blomberg-Produktes. Wir hoffen, dass dieses Produkt, das mit hochwertiger und hochmoderner Technologie hergestellt wurde, beste Ergebnisse erzielt. Daher bitte die gesamte Bedienungsanleitung und alle beiliegenden Dokumente aufmerksam durchlesen und zum zukünftigen Nachschlagen aufbewahren. Bei Weitergabe des Produktes auch die Bedienungsanleitung mit aushändigen. Alle Warnungen und Informationen in der Bedienungsanleitung einhalten. Bitte beachten, dass diese Bedienungsanleitung für unterschiedliche Modelle geschrieben wurde. Unterschiede zwischen den verschiedenen Modellen werden natürlich in der Anleitung erwähnt.

Die Symbole

In dieser Anleitung verwenden wir folgende Symbole:



Arçelik A.Ş.
Karaağaç caddesi No:2-6
34445 Sülüce/Istanbul/TURKEY
Made in TURKEY

1 Wichtige Sicherheits- und Umwelthinweise **4**

Allgemeine Sicherheit	4
Elektrische Sicherheit	4
Produktsicherheit	5
Bestimmungsgemäße Verwendung	7
Sicherheit von Kindern	7
Altgeräte entsorgen	7
Verpackungsmaterialien entsorgen	8

2 Allgemeine Informationen **9**

Geräteübersicht	9
Lieferumfang	10
Technische Daten	11

3 Installation **13**

Vor der Installation	13
Einbauen und Anschließen	15
Transport	17

4 Vorbereitungen **18**

Tipps zum Energiesparen	18
-------------------------------	----

Erste Inbetriebnahme	18
Erstreinigung des Gerätes	18
Erstaufheizung	18

5 Bedienung des Backofens **19**

Allgemeine Hinweise zum Backen, Braten und Grillen	19
So bedienen Sie den Backofen	19
Betriebsarten	20
Garzeitentabelle	21
So bedienen Sie den Grill	23
Garzeitentabelle zum Grillen	23

6 Reinigung und Wartung **24**

Allgemeine Hinweise	24
Bedienfeld reinigen	24
Backofen reinigen	24
Ofentür ausbauen	24
Türinnenscheibe ausbauen	25
Beleuchtung des Backofens auswechseln	26

7 Problemlösungen **27**

1 Wichtige Sicherheits- und Umwelthinweise

Dieser Abschnitt enthält Hinweise, die für die Sicherheit des Benutzers und anderer Personen unerlässlich sind. Diese Hinweise müssen beachtet werden, damit es nicht zu Verletzungen oder Sachschäden kommt. Bei Nichteinhaltung dieser Anweisungen erlöschen sämtliche Garantieansprüche.

Allgemeine Sicherheit

- Dieses Gerät darf von Kindern (ab acht Jahren) oder Personen bedient werden, die unter körperlichen, sensorischen oder geistigen Einschränkungen leiden oder denen es an der nötigen Erfahrung und Wissen im Umgang mit solchen Geräten mangelt, wenn solche Personen beaufsichtigt werden und, zuvor gründlich mit der sicheren Bedienung des Gerätes vertraut gemacht wurden und sich der damit verbundenen Gefahren voll und ganz bewusst sind. Kinder dürfen nicht mit dem Gerät spielen. Reinigungs- und Wartungsarbeiten dürfen von Kindern nicht ohne Aufsicht eines Erwachsenen durchgeführt werden.
- Installation und Reparaturen müssen grundsätzlich vom autorisierten Kundendienst

ausgeführt werden. Der Hersteller haftet nicht für Schäden, die durch den Eingriff nicht autorisierter Personen entstehen; zudem kann dadurch die Garantie erlöschen. Vor der Installation aufmerksam alle Anweisungen lesen.

- Gerät nicht nutzen, falls es nicht ordnungsgemäß funktioniert oder sichtbare Beschädigungen aufweist.
- Nach jeder Benutzung prüfen, ob die Funktionsknöpfe des Produktes ausgeschaltet sind.

Elektrische Sicherheit

- Falls das Produkt einen Fehler aufweist, sollten es bis zur Reparatur durch einen autorisierten Kundendienstmitarbeiter nicht in Betrieb genommen werden. Es besteht Stromschlaggefahr!
- Schließen Sie das Produkt nur an eine geerdete Steckdose an, deren Spannung und Schutz den Angaben unter „Technische Daten“ entsprechen. Lassen Sie durch einen qualifizierten Elektriker eine Erdung vornehmen. Unser Unternehmen haftet nicht für Probleme, die durch ein nicht entsprechend den örtlichen

Richtlinien geerdetes Produkt entstehen.

- Reinigen Sie das Produkt niemals, indem Sie Wasser darauf verteilen oder schütten! Es besteht Stromschlaggefahr!
- Das Produkt darf während Installation, Wartung, Reinigung und Reparatur nicht an eine Steckdose angeschlossen sein.
- Falls das Netzkabel des Produktes beschädigt ist, muss es zur Vermeidung von Gefahren vom Hersteller, einem Kundendienstmitarbeiter oder vergleichbar qualifizierten Personen ausgetauscht werden.
- Verwenden Sie nur das unter „Technische Daten“ angegebene Anschlusskabel.
- Das Gerät muss so installiert sein, dass es vollständig vom Netzwerk getrennt werden kann. Die Trennung muss entsprechend den Baurichtlinien entweder durch einen Netzstecker oder einen in der festen elektrischen Installation eingebauten Schalter ermöglicht werden.
- Die Rückseite des Ofens wird im Betrieb heiß. Achten Sie darauf, dass Elektroanschluss die Rückseite nicht berühren; andernfalls können die Anschlüsse beschädigt werden.

- Klemmen Sie das Netzkabel nicht zwischen Backofentür und Rahmen ein; führen Sie es nicht über heiße Oberflächen. Andernfalls kann die Kabelisolierung schmelzen und in Folge eines Kurzschlusses einen Brand verursachen.
- Jegliche Arbeiten an elektrischen Geräten und Systemen sollten von autorisierten und qualifizierten Personen ausgeführt werden.
- Schalten Sie das Gerät bei Schäden aus, unterbrechen Sie die Stromversorgung. Schalten Sie dazu die Sicherungen im Haus ab.
- Stellen Sie sicher, dass die Sicherungsangaben mit dem Produkt kompatibel sind.

Produktsicherheit

- Das Gerät und seine zugänglichen Teile werden während des Betriebs heiß. Keine Heizelemente berühren. Kinder unter 8 Jahren fernhalten, sofern nicht kontinuierlich beaufsichtigt.
- Produkt niemals nutzen, wenn Urteilsvermögen oder Koordination durch Alkohol und/oder Drogen beeinträchtigt sind.
- Bei alkoholischen Getränken in den Gerichten entsprechend vorsichtig sein. Alkohol verdampft bei hohen Temperaturen und

kann durch Entzünden bei Kontakt mit heißen Oberflächen Feuer verursachen.

- Keine brennbaren Materialien in der Nähe des Produktes aufstellen, da die Seiten während des Gebrauchs heiß werden können.
- Während des Gebrauchs wird das Gerät heiß. Keine Heizelemente im Inneren des Backofens berühren.
- Darauf achten, dass keine Belüftungsschlitze blockiert werden.
- Keine geschlossenen Dosen und Glasgefäße im Ofen erhitzen. Der in der Dose/im Glasgefäß entstehende Druck könnte Dose/Glasgefäß bersten lassen.
- Backbleche, Gerichte und Alufolie nicht direkt auf den Boden des Backofens stellen. Der Hitzestau kann den Boden des Backofens beschädigen.
- Zur Reinigung der Backofen-Glastür keine aggressiven scheuernden Reiniger oder scharfen Metallschaber verwenden, da diese die Oberfläche zerkratzen und so das Glas springen lassen können.
- Zur Reinigung des Gerätes keine Dampfreiniger verwenden; andernfalls besteht Stromschlaggefahr.

- Gitterroste wie unter „Backofen bedienen“ beschrieben verwenden.
- Produkt nicht verwenden, falls das Glas der Fronttür entfernt oder gesprungen ist.
- Ofengriff nicht zum Trocknen von Geschirrtüchern verwenden. Keine Geschirrtücher, Handschuhe oder vergleichbare Textilprodukte aufhängen, wenn die Grillfunktion bei geöffneter Tür arbeitet.
- Beim Hineingeben oder Herausnehmen von Gerichten in den/aus dem heißen Ofen immer hitzebeständige Handschuhe verwenden.
- Zur Vermeidung von Stromschlaggefahr vor dem Auswechseln der Lampe sicherstellen, dass das Gerät abgeschaltet ist.

Brandschutzvorkehrungen des Produktes:

- Sicherstellen, dass der Stecker richtig in die Steckdose eingesteckt ist und keine Funken erzeugt.
- Keine beschädigten oder abgeschnittenen Kabel bzw. Verlängerungskabel verwenden; nur das Originalkabel einsetzen.
- Beim Anschließen des Produktes sicherstellen, dass sich keine

Flüssigkeit oder Feuchtigkeit am Stecker befindet.

Bestimmungsgemäße

Verwendung

- Dieses Gerät wurde für den reinen Hausgebrauch entwickelt. Eine gewerbliche Nutzung ist nicht zulässig.
- Dieses Gerät dient ausschließlich der Zubereitung von Speisen. Es darf nicht zu anderen Zwecken eingesetzt werden.
- Benutzen Sie das Gerät nicht zum Vorwärmen von Tellern, hängen Sie keine Küchentücher, Handtücher und dergleichen zum Trocknen oder Anwärmen an die Griffe.
- Der Hersteller haftet nicht für Schäden, die durch unsachgemäßen Gebrauch oder falsche Bedienung verursacht werden.
- Das Gerät ist zum Garen, Auftauen, Backen, Braten und Grillen von Lebensmitteln geeignet.

Sicherheit von Kindern

- Verschiedene Teile des Gerätes werden während des Gebrauchs heiß. Daher kleine Kinder vom Gerät fernhalten.
- Verpackungsmaterialien können eine Gefahr für Kinder darstellen. Sämtliche Verpackungsmaterialien an einem

sicheren Ort und außerhalb der Reichweite von Kindern aufbewahren.

- Elektrische- und/oder Gasprodukte können eine Gefahr für Kinder darstellen. Kinder im Betrieb daher unbedingt vom Gerät fernhalten. Kinder nicht mit dem Gerät spielen lassen.
- Keine Gegenstände auf das Gerät stellen, die Kinder erreichen können.
- Wenn die Ofentür geöffnet ist, **keine** schweren Gegenstände darauf ablegen und **keine** Kinder darauf sitzen lassen. Das Gerät kann kippen oder die Ofentür oder die Türscharniere können beschädigt werden.

Altgeräte entsorgen



Entsorgen Sie Altgeräte grundsätzlich auf umweltfreundliche Weise.

Dieses Gerät ist mit dem Sammelsymbol für elektrische und elektronische Altgeräte (WEEE) gekennzeichnet. Das bedeutet, dass das Gerät nach den Vorgaben der EG-Richtlinie recycelt und zerlegt werden muss, damit die Umwelt möglichst wenig beeinträchtigt wird. Weitere Informationen erhalten Sie bei Ihrer Stadtverwaltung.

Hinweise zur richtigen Entsorgung des Gerätes erhalten Sie von Ihrem

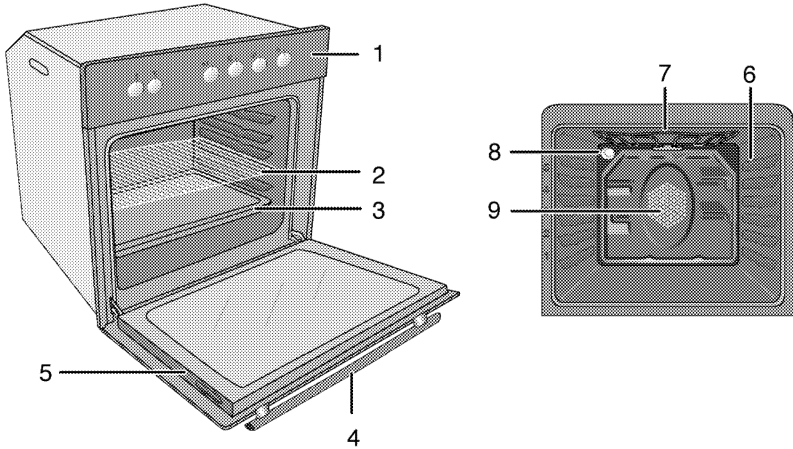
Händler oder bei entsprechenden Sammelstellen in Ihrer Nähe. Bevor Sie das Gerät entsorgen, schneiden Sie das Netzkabel ab und machen die Türverriegelung (sofern vorhanden) unbrauchbar, damit Kinder nicht in Gefahr geraten.

Verpackungsmaterialien entsorgen

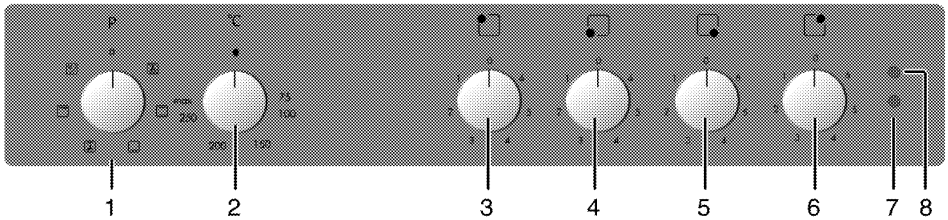
- Die Verpackung des Gerätes besteht aus wiederverwertbaren Materialien. Entsorgen Sie diese vorschriftsgemäß und entsprechend sortiert. Entsorgen Sie solche Materialien nicht mit dem normalen Hausmüll.

2 Allgemeine Informationen

Geräteübersicht



- | | | | |
|---|------------|---|---------------------------------------|
| 1 | Bedienfeld | 6 | Einschubpositionen |
| 2 | Gitterrost | 7 | Oberes Heizelement |
| 3 | Backblech | 8 | Beleuchtung |
| 4 | Griff | 9 | Lüftermotor (hinter der Metallplatte) |
| 5 | Tür | | |



- | | | | |
|---|-------------------------------|---|--------------------------------|
| 1 | Funktionsknopf | 5 | Einzelkochplatte Vorne rechts |
| 2 | Temperaturknopf | 6 | Einzelkochplatte Hinten rechts |
| 3 | Einzelkochplatte Hinten links | 7 | Temperaturleuchte |
| 4 | Einzelkochplatte Vorne links | 8 | Warnleuchte |

Lieferumfang

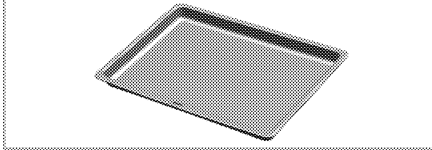


Je nach Modell wird eventuell unterschiedliches Zubehör mitgeliefert. Daher kann es vorkommen, dass nicht sämtliches in der Anleitung erwähntes Zubehör mit Ihrem Gerät geliefert wird.

1. **Bedienungsanleitung**

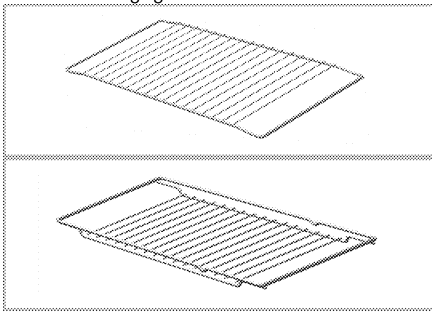
2. **Kuchenblech**

Für Gebäck wie Kekse, Biskuits und Kuchen.



3. **Gitterrost**

Zum Rösten und Grillen und als Unterlage für Behälter, in denen unterschiedlichste Lebensmittel gegart werden können.



Technische Daten

Spannung/Frequenz	220- 240 V (1N) / 380- 415 V (3N) ~ 50 Hz
Leistungsaufnahme gesamt	max. 9.4 kW
Sicherung	Minimum 16 A (3x) / 40 A (1x)
Kabeltyp/Kabelquerschnitt	H05VV-F 4.0 mm ² (220-240 V) / 2.5 mm ² (380-415 V)
Kabellänge	max. 2 m
Außenabmessungen (Höhe/Breite/Tiefe)	595 mm/594 mm/567 mm
Einbaumaße (Höhe/Breite/Tiefe)	**590 oder 600 mm/560 mm/Minimum 550 mm
Hauptofen	Multifunktionsofen
Energieeffizienzklasse #	A
Garraumleuchte	15/25 W
Leistungsaufnahme Grill	2.2 kW

Allgemeine Hinweise: Energieangaben von Elektroöfen werden gemäß der Richtlinie EN 50304 ermittelt. Die entsprechenden Werte werden unter üblichen Einsatzbedingungen bei Ober-/Unterhitze oder im Umluftbetrieb (sofern vorhanden) ermittelt.



Im Zuge der Qualitätsverbesserung können sich technische Daten ohne Vorankündigung ändern.



Die Abbildungen in dieser Anleitung dienen lediglich der Veranschaulichung und können etwas vom tatsächlichen Aussehen des Gerätes abweichen.



Angaben am Produkt oder in der begleitenden Dokumentation wurden unter Laborbedingungen unter Berücksichtigung der zutreffenden Richtlinien ermittelt. Solche Werte können je nach Einsatzumgebung und Nutzungsweise des Gerätes abweichen.

Herdvarianten

			MKN 14101 E			MKN 14100 N														
Watt	Durchmesser	Form																		
2200/750	210/120	Doppelkreisel																		
1200	140	Einzel	X		X	X		X												
1500	160	Einzel																		
2000/1100	140/240	Erweitert																		
2000/1100	140/250	Erweitert																		
2400/1500	170/265	Erweitert																		
1800	180	Einzel					X													
1700	180	Einzel	X				X		X											
2300	210	Einzel																		
1700/700	180/120	Doppelkreisel																		
2300/800/800	210/175/120	Dreifachkreis																		
110-80	260 x 170	Einzel																		
2700/2200/1050	275/210/145	Dreifachkreis																		
2000/600	210/120	Doppelkreisel																		
2500/1600/800	230/180/120	Dreifachkreis																		
2100/1750/900	350/200/145	Erweiterter Doppelkreisel																		
2400/1500	230/180	Doppelkreisel																		
110		Warmhalteplatte																		
			5800 W			5800 W														

* Überhitzungsschutz

** Bei den gekennzeichneten Modellen können die erweiterten und Doppelkreiskochstellen nicht gleichzeitig genutzt werden.

3 Installation

Gerät vom nächstgelegenen autorisierten Kundendienst gemäß gültigen Bestimmungen installieren lassen. Andernfalls erlischt die Garantie. Der Hersteller haftet nicht für Schäden, die durch Aktivitäten nicht autorisierter Personen entstehen; zudem kann dadurch die Garantie erlöschen.



Die Vorbereitung des Aufstellungsortes und der elektrischen und Anschlüsse sind Sache des Kunden.



GEFAHR:

Die Installation des Gerätes muss in Übereinstimmung mit sämtlichen zutreffenden Vorschriften zur Gas- und/oder Elektroinstallation erfolgen.



GEFAHR:

Gerät vor der Installation auf eventuelle, sichtbare Defekte untersuchen. Falls Defekte vorliegen, darf das Gerät nicht installiert werden.

Beschädigte Geräte müssen grundsätzlich als Sicherheitsrisiko betrachtet werden.

Vor der Installation

Die Geräte sind für den Einbau in handelsübliche Küchenmöbel vorgesehen. Zwischen Gerät und angrenzenden Küchenwänden und -möbeln muss ein Sicherheitsabstand verbleiben. Siehe Abbildung auf der nächsten Seite (Angaben in mm)..

- Der Ofen kann auch freistehend benutzt werden. Achten Sie auf einen minimalen Abstand von 750 mm oberhalb des Kochfeldes.
- (*) Wenn eine Dunstabzugshaube über dem Herd installiert werden soll, beachten Sie die Anweisungen des Herstellers zur Installationshöhe (mindestens 650 mm Abstand).
- Verpackungsmaterial und Transportsicherungen entfernen.
- Oberflächen, Kunststoffbeläge und verwendete Kleber müssen hitzebeständig sein (bis mindestens 100 °C).

- Das Kochfeld wird für die Stromversorgung mit dem Backofen verbunden. Beide Geräte müssen dazu übereinander eingebaut werden.
- Die Küchenarbeitsplatte entsprechend den Einbaumaßen ausschneiden.
- Die Schnittflächen versiegeln und Abschlusskanten abdichten.
- Küchenarbeitsplatte und Küchenmöbel müssen waagrecht ausgerichtet und fixiert sein.
- Das Kochfeld darf nur mit **einer** Gerätekannte neben höheren Küchenmöbeln, Geräten oder Wänden eingebaut werden.
- Zwischen Backofenrückwand und Küchenwand muss für die Luftzirkulation ein Abstand bleiben.
- Befindet sich unter dem Backofen eine Schublade, muss zwischen Backofen und Schublade ein Trennboden eingesetzt werden.
- Tragen Sie das Gerät grundsätzlich mit mindestens zwei Personen.



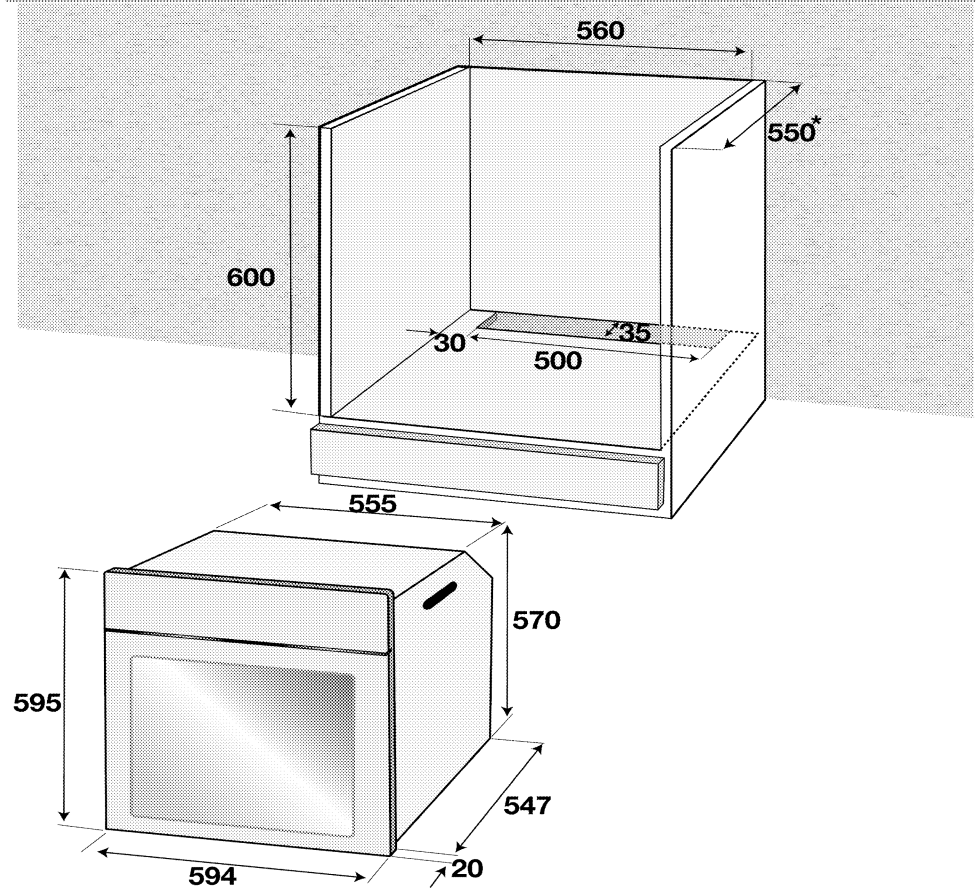
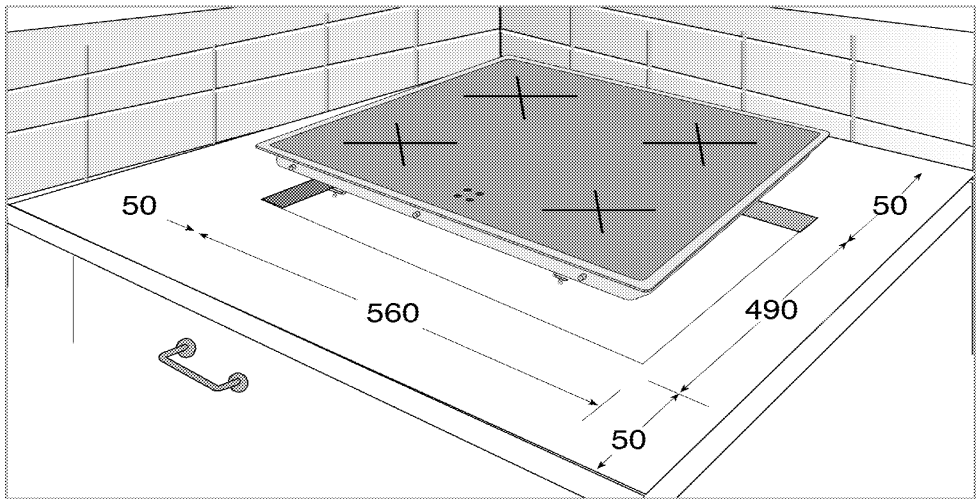
Stellen Sie das Gerät nicht neben Kühl- oder Gefriergeräten auf. Die Wärmeabgabe des Gerätes führt zu steigendem Energieverbrauch der Kühlgeräte.



Missbrauchen Sie die Tür/den Türgriff nicht zum Anheben oder Bewegen des Gerätes.



Bei Geräten mit Drahtgriffen schieben Sie die Griffe nach dem Transport des Gerätes wieder in die Seitenwände zurück.



* min.

Einbauen und Anschließen

- Das Gerät darf nur nach den gesetzlichen Installationsvorschriften angeschlossen und installiert werden.

Elektrischer Anschluss

Schließen Sie das Gerät an eine geerdete Schutzkontaktsteckdose/Leitung an, die mit einer Sicherung passender Stromstärke abgesichert wird, siehe dazu den Abschnitt „Technische Daten“. Lassen Sie die Erdung in jedem Fall von einem qualifizierten Elektriker vornehmen oder überprüfen. Der Hersteller haftet nicht bei Schäden, die durch den Einsatz des Gerätes ohne vorschriftsmäßige Erdung entstehen.



GEFAHR:

Das Gerät darf nur von einer autorisierten Fachkraft an das Stromnetz angeschlossen werden. Die Garantiezeit beginnt erst mit der fachgerechten Installation. Der Hersteller haftet nicht für Schäden, die durch Aktivitäten nicht autorisierter Dritter entstehen.



GEFAHR:

Das Netzkabel darf nicht eingeklemmt, geknickt oder gequetscht werden und darf nicht mit heißen Geräteteilen in Berührung kommen. Beschädigte Netzkabel müssen durch einen zugelassenen Elektriker ausgetauscht werden. Andernfalls kann es zu Stromschlägen, Kurzschlüssen und Bränden kommen!

- Der Anschluss muss gemäß nationalen Richtlinien erfolgen.
- Die Netzanschlussdaten müssen mit den Daten auf dem Typenschild des Gerätes übereinstimmen. Das Typenschild finden Sie nach Öffnen der Ofentür an der Unterseite des Gerätes.
- Verwenden Sie nur Netzkabel, die den Angaben im Abschnitt „Technische Daten“ entsprechen.



GEFAHR:

Trennen Sie das Gerät vollständig von der Stromversorgung, bevor Sie mit der Elektroinstallation beginnen. Es besteht Stromschlaggefahr!

Netzkabel anschließen

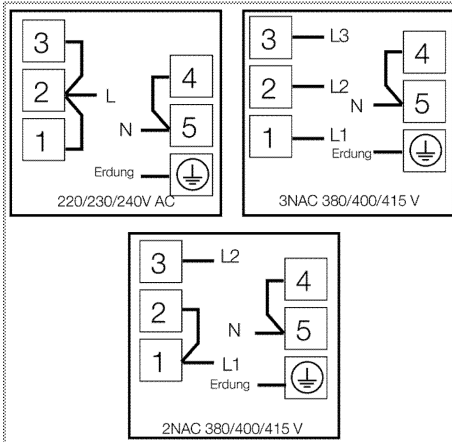
1. Falls bei Ihrem Produkt kein Netzkabel mitgeliefert wurde, wählen Sie bitte entsprechend der Elektroinstallation bei Ihnen zuhause ein Netzkabel aus der Tabelle (*Technische Daten, Seite 11*); befolgen Sie zum Anschließen Ihres Produktes die Anweisungen im Kabeldiagramm.

Falls der Netzanschluss nicht vollständig getrennt werden kann, muss ein Trennschalter (Sicherung, Netzschalter oder dergleichen) mit mindestens 3 mm Kontaktabstand zwischengeschaltet werden. Die einschlägigen Installationsvorschriften (in Deutschland VDE 0100) sind dabei einzuhalten. Bei Nichtbeachtung kann es zu Betriebsstörungen und zum Erlöschen der Garantie kommen.



Wir empfehlen eine zusätzliche Absicherung mit einem Fehlerstromschutzschalter (FI-Schutzschalter).

2. Öffnen Sie die Anschlussabdeckung mit einem Schraubendreher.
3. Stecken Sie das Netzkabel durch die Kabelklemme unter dem Anschluss; befestigen Sie es mit der an der Kabelklemmkomponente integrierten Schraube am Hauptgerät.
4. Schließen Sie die Kabel gemäß Abbildung an.

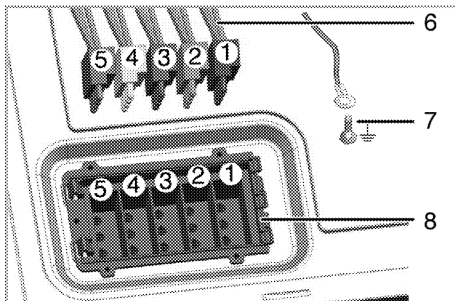


- Nach Abschluss der Verkabelung schließen Sie die Anschlussabdeckung.
- Verlegen Sie das Netzkabel so, dass es weder das Produkt berührt noch zwischen Produkt und Wand eingeklemmt wird.

i Die Länge des Netzkabels darf aus Sicherheitsgründen nicht mehr als 2 m betragen.

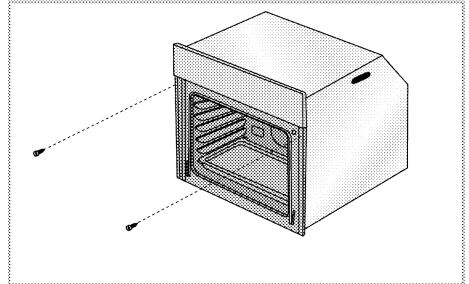
Geräte installieren

- Befestigen Sie das Kochfeld.
- Stellen Sie die Ofenanschlüsse her.
- Schieben Sie den Ofen zur Hälfte in das Möbel.
- Verbinden Sie Kochfeld und Backofen.



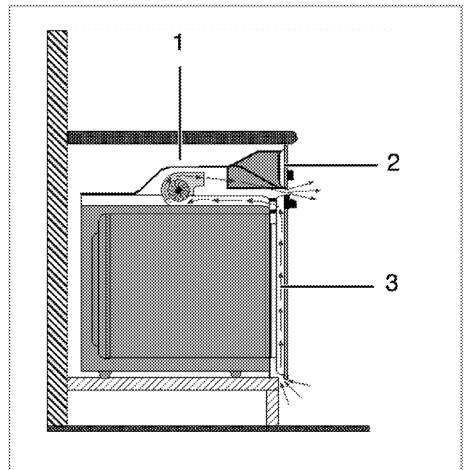
- Rot
- Schwarz
- Weiß
- Blau
- Grün
- Kabel vom Kochfeld
- Verbindung des Erdungskabels (grün/gelb)
- Eingänge des Ofenkabels (Anschluss)

- Schieben Sie den Ofen in das Möbel ein, richten Sie ihn richtig aus und fixieren Sie ihn – achten Sie dabei unbedingt darauf, dass das Netzkabel nicht beschädigt oder eingeklemmt wird.



Fixieren Sie den Backofen wie in der Abbildung gezeigt mit zwei Schrauben.

Bei Geräten mit Lüfter



- Lüfter
- Bedienfeld
- Tür

Der integrierte Lüfter kühlt den Einbauschrank und die Vorderseite des Gerätes.

i Der Kühlungs Lüfter läuft auch nach dem Abschalten des Backofens noch etwa 20 bis 30 Minuten lang nach.

Endkontrolle

- Schalten Sie die entsprechende Sicherung ein.
- Prüfen Sie die Funktion.

Transport

- Bewahren Sie den Originalkarton auf, falls Sie das Gerät künftig transportieren müssen. Halten Sie sich an die Hinweise auf dem Karton. Falls Sie den Originalkarton nicht mehr besitzen sollten, verpacken Sie das Gerät in Luftpolsterfolie oder starken Karton, anschließend gut mit Klebeband sichern.
- Damit Gitterroste und Bleche nicht zu Beschädigungen der Ofentür führen, schützen Sie die Ofentür von innen mit einem passenden Stück Karton. Fixieren Sie die Ofentür mit Klebeband.
- Verwenden Sie die Tür/den Türgriff nicht zum Anheben oder Bewegen des Gerätes.



Legen Sie keine Gegenstände auf dem Gerät ab, bewegen Sie das Gerät grundsätzlich in aufrechter Position.



Überprüfen Sie das Gerät nach dem Transport genau, überzeugen Sie sich davon, dass es nicht zu Beschädigungen gekommen ist.

4 Vorbereitungen

Tipps zum Energiesparen

Mit den folgenden Hinweisen nutzen Sie Ihr Gerät umweltbewusst und energiesparend:

- Verwenden Sie am besten dunkles oder emailliertes Kochgeschirr – dies leitet die Wärme besser.
- Lassen Sie den Backofen vorheizen, wenn dies durch Bedienungs- oder Zubereitungsanleitung empfohlen wird.
- Verzichten Sie bei der Zubereitung auf häufiges Öffnen der Backofentür.
- • Bereiten Sie mehrere Gerichte gleichzeitig zu, sofern dies möglich ist. Dazu stellen Sie einfach mehrere Behälter auf den Gitterrost.
- Größere Gerichte und solche, deren Geschmack sich nicht gegenseitig beeinflussen soll, bereiten Sie nacheinander zu. Der Backofen ist dann bereits vorgeheizt.
- Sie können zusätzliche Energie sparen, indem Sie den Backofen ein paar Minuten vor Ende der Garzeit bereits abschalten. Verzichten Sie während der Zubereitung möglichst auf ein Öffnen der Backofentür.
- Tauen Sie gefrorene Gerichte vor der Zubereitung auf.

Erste Inbetriebnahme

Erstreinigung des Gerätes



Durch bestimmte Reinigungsmittel können die Oberflächen des Gerätes beschädigt werden.

Verwenden Sie keine aggressiven Reinigungsmittel, keine Scheuermittel und keine scharfen oder spitzen Gegenstände bei der Reinigung.

1. Entfernen Sie sämtliches Verpackungsmaterial.
2. Geräteoberflächen mit einem feuchten Tuch oder Schwamm abwischen und mit einem Tuch trocknen.

Erstaufheizung

Lassen Sie das Gerät etwa 30 Minuten lang aufheizen, schalten Sie es anschließend ab. Auf diese Weise werden sämtliche Rückstände und Beschichtungen durch Abbrennen entfernt.



WARNUNG

Verbrennungsgefahr durch heiße Flächen!

Das Gerät kann sich im Betrieb stark aufheizen. Berührung Sie niemals heiße Brenner, das Innere des Backofens, Heizelemente und so weiter. Halten Sie Kinder fern.

Tragen Sie grundsätzlich hitzebeständige Schutzhandschuhe, wenn Sie etwas in den Backofen stellen oder herausnehmen.

Elektroofen

1. Nehmen Sie sämtliches Zubehör (z. B. Backbleche und Gitterrost) aus dem BackOfen heraus.
2. Schließen Sie die BackOfentür.
3. Wählen Sie die Ober- und Unterhitze“ - Einstellung.
4. Wählen Sie die höchste Ofentemperatur; Siehe *So bedienen Sie den Backofen, Seite 19*.
5. Lassen Sie den BackOfen etwa 30 Minuten lang arbeiten.
6. Schalten Sie den BackOfen ab; Siehe *So bedienen Sie den Backofen, Seite 19*

Grill

1. Nehmen Sie sämtliches Zubehör (z. B. Backbleche und Gitterrost) aus dem BackOfen heraus.
2. Schließen Sie die BackOfentür.
3. Wählen Sie die höchste Temperatureinstellung; Siehe *So bedienen Sie den Grill, Seite 23*.
4. Lassen Sie den Grill etwa 30 Minuten lang arbeiten.
5. Schalten Sie den Grill ab; Siehe *So bedienen Sie den Grill, Seite 23*



Bei der ersten Inbetriebnahme kann es über mehrere Stunden zu Rauch- und Geruchsentwicklung kommen. Dies ist völlig normal. Lüften Sie den Raum gut durch, damit Rauch und Gerüche schnell abziehen können. Atmen Sie die Dämpfe möglichst nicht ein.

5 Bedienung des Backofens

Allgemeine Hinweise zum Backen, Braten und Grillen



WARNUNG

Verbrennungsgefahr durch heiße Flächen!

Das Gerät kann sich im Betrieb stark aufheizen. Berührung Sie niemals heiße Brenner, das Innere des Backofens, Heizelemente und so weiter. Halten Sie Kinder fern.

Tragen Sie grundsätzlich hitzebeständige Schutzhandschuhe, wenn Sie etwas in den Backofen stellen oder herausnehmen.



GEFAHR:

Öffnen Sie die Backofentür vorsichtig: Heißer Dampf kann austreten.

Der austretende Dampf kann zu Verbrühungen von Händen, Gesicht und Augen führen.

Tipps zum Backen

- Benutzen Sie Metallgeschirr mit Antihafbeschichtung oder hitzebeständige Silikonformen.
- Nutzen Sie den Platz auf dem Gitterrost gut aus.
- Stellen Sie Backformen in die Mitte des Gitterrostes.
- Wählen Sie die richtige Einschubposition, bevor Sie Backofen oder Grill einschalten. Wechseln Sie die Einschubposition nicht, solange der Backofen heiß ist.
- Halten Sie die Backofentür geschlossen.

Tipps zum Rösten

- Eine Würzmischung aus Zitronensaft und schwarzem Pfeffer sorgt für eine besonders schmackhafte Zubereitung von ganzen Hühnern, Puten und größeren Fleischportionen.
- Fleisch mit Knochen braucht etwa 15 – 30 Minuten länger zum Garen als dieselbe Menge Fleisch ohne Knochen.
- Jeder Zentimeter an Fleischdicke braucht etwa 4 – 5 Minuten mehr an Garzeit.
- Lassen Sie Fleisch nach Ablauf der Garzeit noch etwa 10 Minuten im Backofen ruhen.

Der Fleischsaft verteilt sich so gleichmäßiger im Braten und läuft beim Anschneiden nicht aus.

- Fisch stellen Sie auf einem hitzebeständigem Teller möglichst in der mittleren oder unteren Einschubposition in den Backofen.

Tipps zum Grillen

Fleisch, Geflügel und Fisch werden durch das Grillen schnell braun, bekommen eine schöne Kruste und trocknen dabei nicht aus. Insbesondere flache Stücke, Fleischspieße und Würstchen sowie Gemüse mit hohem Wasseranteil (wie Tomaten oder Zwiebeln) sind zum Grillen gut geeignet.

- Verteilen Sie das Grillgut so auf dem Gitterrost, dass es nicht über die Kanten des Gitterrostes hinausragt.
- Schieben Sie den Gitterrost (mit darunter eingeschobener Tropfschale) in die richtige Einschubposition. Vergessen Sie nicht, die Tropfschale beim Grillen in den untersten Einschub einzuschieben, damit das Fett aufgefangen wird. Geben Sie etwas Wasser in die Tropfschale – so wird die Reinigung einfacher.

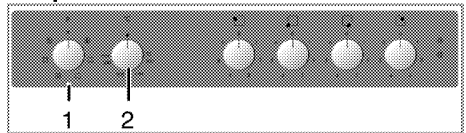


Lebensmittel, die nicht zum Grillen geeignet sind, können sich im schlimmsten Fall entzünden. Grillen Sie nur Lebensmittel, die bei der starken Hitze beim Grillen keinen Schaden nehmen.

Platzieren Sie das Grillgut nicht nahe der Backofenrückwand. Dort wird es besonders heiß, fettes Grillgut kann in Brand geraten.

So bedienen Sie den Backofen

Temperatur und Betriebsart einstellen



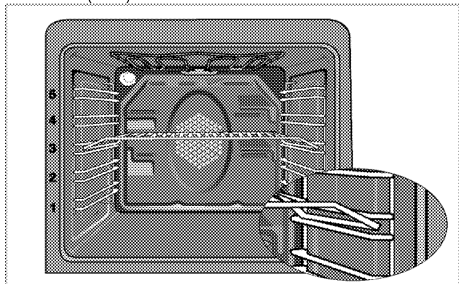
- 1 Funktionsknopf
- 2 Temperaturknopf

1. Stellen Sie den Funktionswähler auf die gewünschte Temperatur ein.

2. Stellen Sie den Funktionswähler auf die gewünschte Betriebsart ein.
 » Der Ofen heizt sich auf die eingestellte Temperatur auf und hält diese aufrecht. Während des Aufheizens bleibt die Temperaturleuchte eingeschaltet.

Backofen ausschalten

Bringen Sie Funktions- und Temperatureinstellungsknopf in die obere Position (Aus).



Einschubpositionen (bei Modellen mit Grillrost)

Es ist wichtig, dass der Grillrost richtig in die Einschübe eingesetzt wird. Setzen Sie den Grillrost wie in der Abbildung gezeigt in den Einschub ein.

Achten Sie darauf, dass der Grillrost nicht die Rückwand des Ofens berührt. Schieben Sie den Rost daher nur so weit ein, bis sich die Backofentür problemlos schließen lässt – so funktioniert der Grill am besten.

Betriebsarten

Die hier gezeigte Reihenfolge der Betriebsarten kann je nach Gerätemodell etwas abweichen.

Ober- und Unterhitze



Ober- und Unterhitze werden eingesetzt. Das Gargut wird gleichzeitig von oben und unten erhitzt. Diese Betriebsart eignet sich beispielsweise für Kuchen, Gebäck und Aufläufe. Nur ein Blech verwenden.

Unterhitze



Bei dieser Betriebsart wird lediglich das untere Heizelement eingesetzt. Geeignet z. B. für Pizza und zum Nachbräunen von unten.

Ober-/Unterhitze mit Umluft



Bei dieser Betriebsart werden Oberhitze, Unterhitze und Umluft (hinteres Heizelement) eingesetzt. Durch den Lüfter wird heiße Luft schnell gleichmäßig im Backofen verteilt. Nur ein Blech verwenden.

Grill, groß



Der große Grill an der Oberseite des Backofens ist in Betrieb. Diese Betriebsart eignet sich insbesondere zum Grillen größerer Fleischmengen.

- Stellen Sie mittelgroße bis große Portionen auf dem richtigen Einschub direkt unter das Grillheizelement.
- Stellen Sie die maximale Temperatur ein.
- Wenden Sie das Grillgut nach der Hälfte der Garzeit.

Grill + Umluft (Grill+Fan)



Der Grilleffekt ist nicht so stark wie bei Flächengrill

- Kleine oder mittelgroße Portionen in der richtigen Einschubposition unter dem Grill-Heizkörper grillen.
- Stellen Sie die gewünschte Temperatur ein.
- Wenden Sie das Grillgut nach der Hälfte der Garzeit.

Schnellheizen



Diese Funktion dient dazu, den Backofen schnell aufzuheizen; sie eignet sich nicht zum Garen von Speisen.

- Stellen Sie nach der Auswahl dieser Funktion die gewünschte Temperatur ein. Die Temperaturleuchte schaltet sich ein, der Backofen wird aufgeheizt.
- Nach dem Aufheizen schaltet sich die Leuchte aus. Dann stellen Sie die gewünschte Funktion zum Garen ein.

Garzeitentabelle



Die Zeitangaben in dieser Tabelle sollen als Richtwerte dienen. Zeitangaben können aufgrund von Temperatur, Dicke, Typ der Lebensmittel und Ihren eigenen Vorlieben abweichen.

Backen und Braten



Der erste Einschub ist der **untere** Einschub.

Gericht	Leistungsstufe		Einschubposition	Temperatur (°C)	Gardauer (ca. - Angabe in Min.)
**Kuchenblech	Einschub 1		3	175	25 ... 30
**Kuchen, Form	Einschub 1		2	175	40 ... 50
**Kuchen in Backpapier	Einschub 1		3	175	25 ... 30
**Biskuitkuchen	Einschub 1		3	200	5 ... 10
**Kekse	Einschub 1		3	175	25 ... 30
**Teiggebäck	Einschub 1		2	200	30 ... 40
**Teilchen	Einschub 1		2	200	25 ... 35
**Sauerteig	Einschub 1		2	200	35 ... 45
**Lasagne	Einschub 1		2 - 3	200	30 ... 40
**Pizza	Einschub 1		2	200 ... 220	15 ... 20
Rindersteak (ganz)/Braten	Einschub 1		3	25 Min. bei 250 max., dann 180 ... 190	100 ... 120
Lammkeule (Auflauf)	Einschub 1		3	25 Min. bei 220, dann 180 ... 190	70 ... 90
Brathähnchen	Einschub 1		2	15 Min. bei 250 max., dann 180 ... 190	55 ... 65
Pute (5,5 kg)	Einschub 1		1	25 Min. bei 250 max., dann 180 ... 190	150 ... 210
Fisch	Einschub 1		3	200	20 ... 30

(**) Wenn vorgeheizt werden muss, lassen Sie den Ofen zu Beginn vorheizen, bis die Temperaturleuchte erlischt.

Tipps zum Kuchenbacken

- Falls Gebäck zu trocken wird, erhöhen Sie die Temperatur etwas und vermindern gleichzeitig die Garzeit.

- Werden Kuchen zu feucht, reduzieren Sie die Flüssigkeiten oder senken die Temperatur um 10 °C.
- Sofern die Oberseite des Kuchens zu stark gebräunt wird, backen Sie etwas länger mit reduzierter Temperatur.
- Wenn der Kuchen außen gut gelingt, innen jedoch noch klebrig ist, geben Sie weniger

Flüssigkeit hinzu, senken die Temperatur und verlängern dafür die Garzeit etwas.

Tipps für Gebäck

- Falls Gebäck zu trocken wird, erhöhen Sie die Temperatur etwas und vermindern gleichzeitig die Garzeit. Befeuchten Sie den Teig mit einer Mischung aus Milch, Öl, Ei und Joghurt.
- Sollte Gebäck sehr lange zum Garen benötigen, achten Sie darauf, dass das Gebäck nicht über die Oberkante des Backblechs hinausragt.
- Wird Gebäck an der Oberseite gut gebräunt, innen jedoch nicht richtig gar, achten Sie darauf, dass sich Flüssigkeiten nicht am Boden des Gebäcks konzentrieren. Versuchen Sie, Flüssigkeitsmischungen gleichmäßig zwischen den Teigschichten zu verteilen; so erreichen Sie eine gleichmäßige Bräunung.



Halten Sie sich beim Backen an die Betriebsart- und Temperaturempfehlungen der Zubereitungstabelle. Falls die Unterseite nicht ausreichend gebräunt wird, nutzen Sie beim nächsten Mal den nächstniedrigeren Einschub.

Tipps zur Zubereitung von Gemüse

- Falls Gemüsegerichte zu trocken werden, bereiten Sie diese in einem Geschirr mit Deckel statt auf dem Blech zu. Geschlossene Behälter sorgen dafür, dass nicht zu viel Flüssigkeit verloren wird.
- Falls Gemüsegerichte nicht richtig gar werden, kochen Sie das Gemüse zuvor und geben es erst danach in den Ofen.

So bedienen Sie den Grill



WARNUNG

Backofentür beim Grillen geschlossen halten.

Verbrennungsgefahr durch heiße Flächen!

Grill einschalten

1. Drehen Sie den Funktionswähler auf das gewünschte Grillsymbol.
 2. Wählen Sie dann die gewünschte Grilltemperatur.
 3. Heizen Sie den Grill bei Bedarf etwa 5 Minuten vor.
- » Die Temperaturleuchte schaltet sich ein.

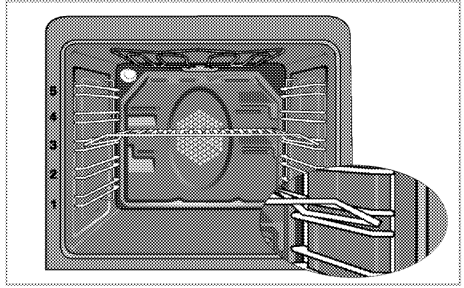
Grill ausschalten

1. Drehen Sie den Funktionswähler in die Aus-Position (oben).

Einschubpositionen

Die Grilleistung nimmt ab, wenn der Grillrost die Rückwand des Ofens berührt. Schieben Sie den Rost daher nur so weit ein, bis sich die

Backofentür problemlos schließen lässt – so funktioniert der Grill am besten.



Lebensmittel, die nicht zum Grillen geeignet sind, können sich im schlimmsten Fall entzünden. Grillen Sie nur Lebensmittel, die bei der starken Hitze beim Grillen keinen Schaden nehmen.

Platzieren Sie das Grillgut nicht nahe der Backofenrückwand. Dort wird es besonders heiß, fettes Grillgut kann in Brand geraten.

Garzeitentabelle zum Grillen

Elektrischer Grill

Speise	Einschubebene	Grilldauer (ca.)
Fisch	4..5	20..25 Min. #
Hühnerklein	4..5	25..35 Min.
Lammkoteletts	4..5	20..25 Min.
Rinderbraten	4..5	25..30 Min. #
Kalbskoteletts	4..5	25..30 Min. #
Toastbrot	4	1..2 min.

je nach Dicke

6 Reinigung und Wartung

Allgemeine Hinweise

Durch regelmäßiges Reinigen verlängern Sie die Lebenserwartung Ihres Gerätes und beugen Fehlfunktionen vor.



GEFAHR:

Trennen Sie das Gerät von der Stromversorgung, bevor Sie es reinigen.
Es besteht Stromschlaggefahr!



GEFAHR:

Lassen Sie das Gerät vor dem Reinigen gründlich abkühlen.
Verbrennungsgefahr durch heiße Flächen!

- Reinigen Sie das Gerät nach jedem Gebrauch gründlich. Dadurch lassen sich Speisereste leichter entfernen und können sich beim nächsten Einsatz des Backofens nicht einbrennen.
- Zur Reinigung benötigen Sie keine Spezialreiniger. Verwenden Sie am besten warmes Wasser mit etwas herkömmlichem Reiniger, ein weiches Tuch oder einen Schwamm. Anschließend mit einem Tuch trocknen.
- Achten Sie stets darauf, überschüssige und verschüttete Flüssigkeiten nach der Reinigung gründlich ab- bzw. aufzuwischen.
- Wenn Sie Edelstahl und Griffe reinigen verzichten Sie auf Reinigungsmittel, die Säuren oder Chlor enthalten. Reinigen Sie diese Teile mit einem weichen Tuch und etwas Flüssigreiniger (kein Scheuermittel); wischen Sie dabei am besten nur in eine Richtung.



Durch bestimmte Reinigungsmittel können die Oberflächen des Gerätes beschädigt werden.

Verwenden Sie keine aggressiven Reinigungsmittel, keine Scheuermittel und keine scharfen oder spitzen Gegenstände bei der Reinigung.



Nutzen Sie keine Dampfreiniger zur Reinigung des Gerätes – es besteht Stromschlaggefahr.

Bedienfeld reinigen

Reinigen Sie Bedienfeld und Knöpfe mit einem feuchten Tuch; anschließend trocken reiben.



Ziehen Sie die Knöpfe zum Reinigen des Bedienfelds nicht ab.
Das Bedienfeld kann beschädigt werden!

Backofen reinigen

Backofentür reinigen

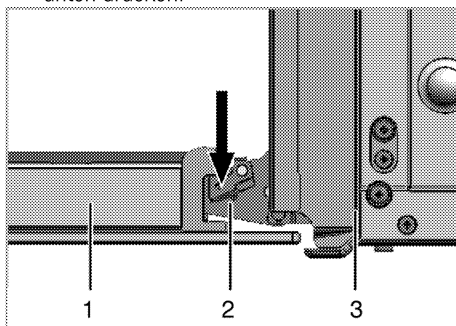
Verwenden Sie zum Reinigen der Backofentür am besten warmes Wasser mit etwas herkömmlichem Reiniger, ein weiches Tuch oder einen Schwamm. Anschließend mit einem Tuch trocknen.



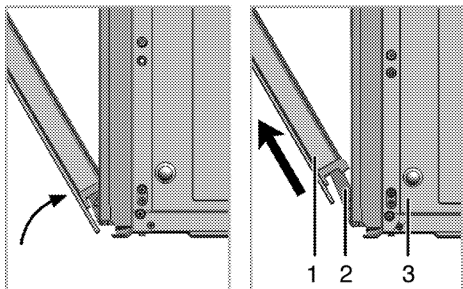
Verzichten Sie bei der Reinigung der Backofentür auf aggressive Reinigungsmittel und auf scharfkantige Schaber aus Metall. Solche Hilfsmittel können die Oberflächen zerkratzen und das Glas beschädigen.

Ofentür ausbauen

1. Öffnen Sie die Backofentür (1).
2. Öffnen Sie die Clips am Scharniergehäuse links und rechts der Backofentür, indem Sie diese wie in der Abbildung gezeigt nach unten drücken.



- 1 Backofentür
- 2 Scharnier
- 3 Backofen



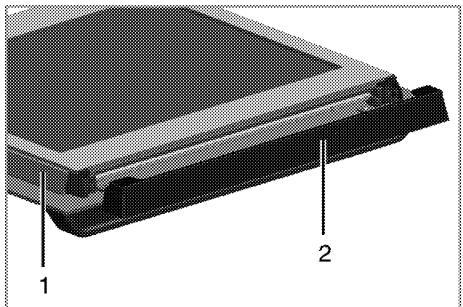
3. Öffnen Sie die Backofentür zur Hälfte.
4. Nehmen Sie die Ofentür heraus, indem Sie diese etwas anheben und von den Scharnieren rechts und links lösen.

i Zum Einbau führen Sie die obigen Schritte wieder in umgekehrter Reihenfolge aus. Vergessen Sie nicht, die Clips am Scharniergehäuse nach dem Wiedereinsetzen der Tür wieder zu schließen.

Türinnenscheibe ausbauen

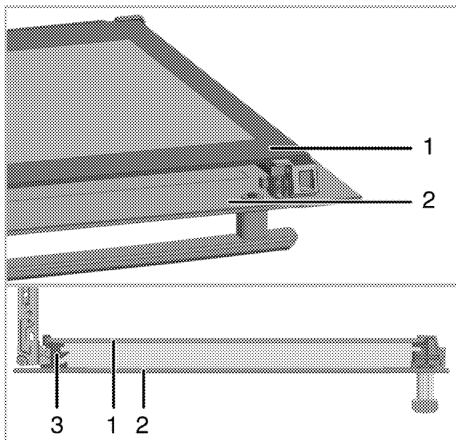
Die Türinnenscheibe kann zur Reinigung ausgebaut werden.

Öffnen Sie die Backofentür.



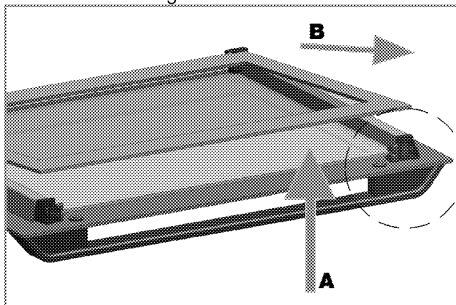
- 1 Rahmen
- 2 Kunststoffteil

Ziehen Sie das im oberen Bereich der Fronttür installierte Kunststoffteile zu sich heraus.



- 1 Innenscheibe
- 2 Äußere Glasscheibe
- 3 Scheibenkunststoffschlitz, unten

Heben Sie die innerste Scheibe (1) wie in der Abbildung gezeigt leicht in Richtung **A** an, ziehen Sie sie in Richtung **B** heraus.



Achten Sie bei der Anbringung der inneren Scheibe (1) darauf, dass die bedruckte Seite der Scheibe nach innen zeigt.

Es ist wichtig, die untere Kante der inneren Scheibe im unteren Kunststoffschlitz einzusetzen.

Drücken Sie das Kunststoffteil gegen den Rahmen, bis es mit einem Klickgeräusch einrastet.

Beleuchtung des Backofens auswechseln



GEFAHR:

Bevor Sie die Beleuchtung des Backofens auswechseln, sorgen Sie dafür, dass das Gerät vollständig von der Stromversorgung getrennt und komplett abgekühlt ist; ansonsten droht Verbrennungs- und Stromschlaggefahr. Verbrennungsgefahr durch heiße Flächen!



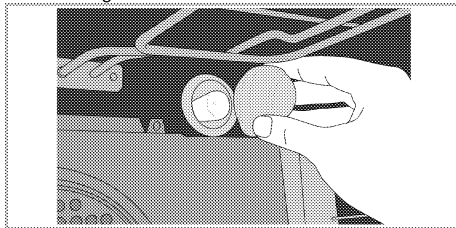
Als Leuchtmittel wird eine spezielle Glühlampe eingesetzt, die für Temperaturen bis 300 °C ausgelegt ist. Weitere Hinweise finden Sie in "*Technische Daten, Seite 11*". Passende Leuchtmittel erhalten Sie beim autorisierten Kundendienst.



Die Position der Beleuchtung kann etwas von der Abbildung abweichen.

Wenn Ihr Ofen mit einer runden Leuchte ausgestattet ist:

1. Trennen Sie das Gerät vollständig von der Stromversorgung.
2. Schrauben Sie die Glasabdeckung gegen den Uhrzeigersinn ab.



3. Drehen Sie die Ofenlampe gegen den Uhrzeigersinn heraus, setzen Sie eine neue Lampe ein.
4. Glasabdeckung wieder anbringen.

7 Problemlösungen

Aus dem Backofen tritt im Betrieb Dampf aus.

- Während des Betriebs ist ein Dampfaustritt normal. >>> *Dies ist kein Fehler.*

Beim Aufheizen und Abkühlen sind metallische Geräusche zu hören.

- Wenn sich die Temperatur von Metallteilen ändert, dehnen sich diese aus oder ziehen sich zusammen – dabei entstehen Geräusche. >>> *Dies ist kein Fehler.*

Das Gerät funktioniert nicht.

- Die Sicherung ist durchgebrannt oder ausgelöst. >>> *Kontrollieren Sie die Sicherungen im Sicherungskasten. Bei Bedarf austauschen oder zurücksetzen.*
- Das Gerät ist nicht richtig an die (geerdete) Steckdose angeschlossen. >>> *Überprüfen Sie die Steckerverbindung.*

Die Ofenbeleuchtung funktioniert nicht.

- Das Leuchtmittel ist defekt. >>> *Tauschen Sie das Leuchtmittel aus.*
- Die Stromversorgung wurde unterbrochen. >>> *Überprüfen Sie die Stromversorgung. Kontrollieren Sie die Sicherungen im Sicherungskasten. Sicherungen bei Bedarf austauschen oder zurücksetzen.*

Backofen heizt nicht.

- Falsche Funktion ausgewählt und/oder Temperatur nicht richtig eingestellt. >>> *Stellen Sie Funktion und Temperatur entsprechend ein.*
- Die Stromversorgung wurde unterbrochen. >>> *Überprüfen Sie die Stromversorgung. Kontrollieren Sie die Sicherungen im Sicherungskasten. Sicherungen bei Bedarf austauschen oder zurücksetzen.*



Falls sich ein Problem nicht mit den obigen Hinweisen lösen lassen sollte, wenden Sie sich bitte an den autorisierten Kundendienst oder an den Händler, bei dem Sie das Gerät gekauft haben. Versuchen Sie niemals, ein defektes Gerät selbst zu reparieren.

